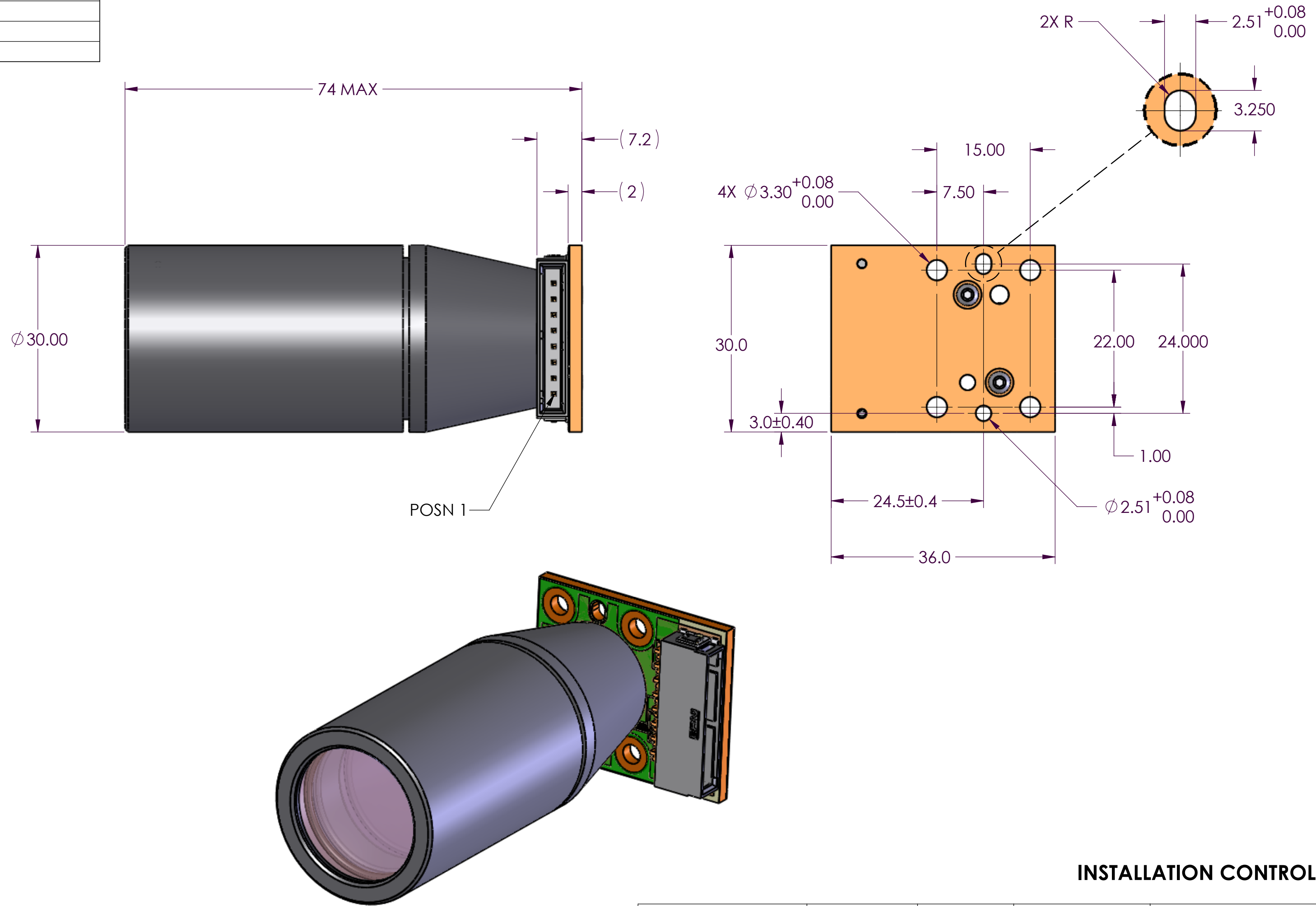


Plot Date: Friday, June 10, 2011 3:12:17 PM by: Bob Gunning

INTERCONNECT TABLE	
CONN POSN	DEVICE
1	THERMISTOR 1 & PHOTO SENSOR GND [2]
2	THERMISTOR 2
3	VCC [2]
4	PHOTO SENSOR [2]
5	CATHODE (COMMON)
6	CATHODE (COMMON)
7	ANODE (COMMON)
8	ANODE (COMMON)

REVISIONS			
REV	DESCRIPTION	DATE	ECO
1	PRERELEASE	6/10/2011	BG



NOTES:  
 1. CONTENT FOR REFERENCE ONLY AND SUBJECT TO CHANGE  
 [2] IF EQUIPPED

**INSTALLATION CONTROL DRAWING**

UNLESS OTHERWISE SPECIFIED: DIMENSIONS ARE IN MILLIMETERS	DRW	BG	DATE	6/10/2011
	ENG	BG	DATE	6/10/2011
	ENG APVD	TB	DATE	6/10/2011
MATERIAL:	FINISH:			

THIS DRAWING AND SPECIFICATIONS  
 HEREIN ARE THE PROPERTY OF  
 INNOVATIONS IN OPTICS, INC. AND  
 SHALL NOT BE REPRODUCED NOR  
 COPIED NOR USED IN WHOLE OR IN  
 PART AS THE BASIS FOR THE  
 MANUFACTURE OR SALE OF ITEMS  
 WITHOUT THE EXPRESS WRITTEN  
 PERMISSION OF INNOVATIONS IN  
 OPTICS, INC.

Innovations in Optics, Inc. 82 Cummings Park Woburn, MA 01801 TEL: (781) 933-4477 FAX: (781) 933-0007		
TITLE <b>ILLUMINATOR ASSY</b>		
SIZE <b>C</b>	DWG. NO. <b>1240B-200-ICD</b>	REV <b>1</b>
SCALE: 2:1	SHEET 1 of 1	