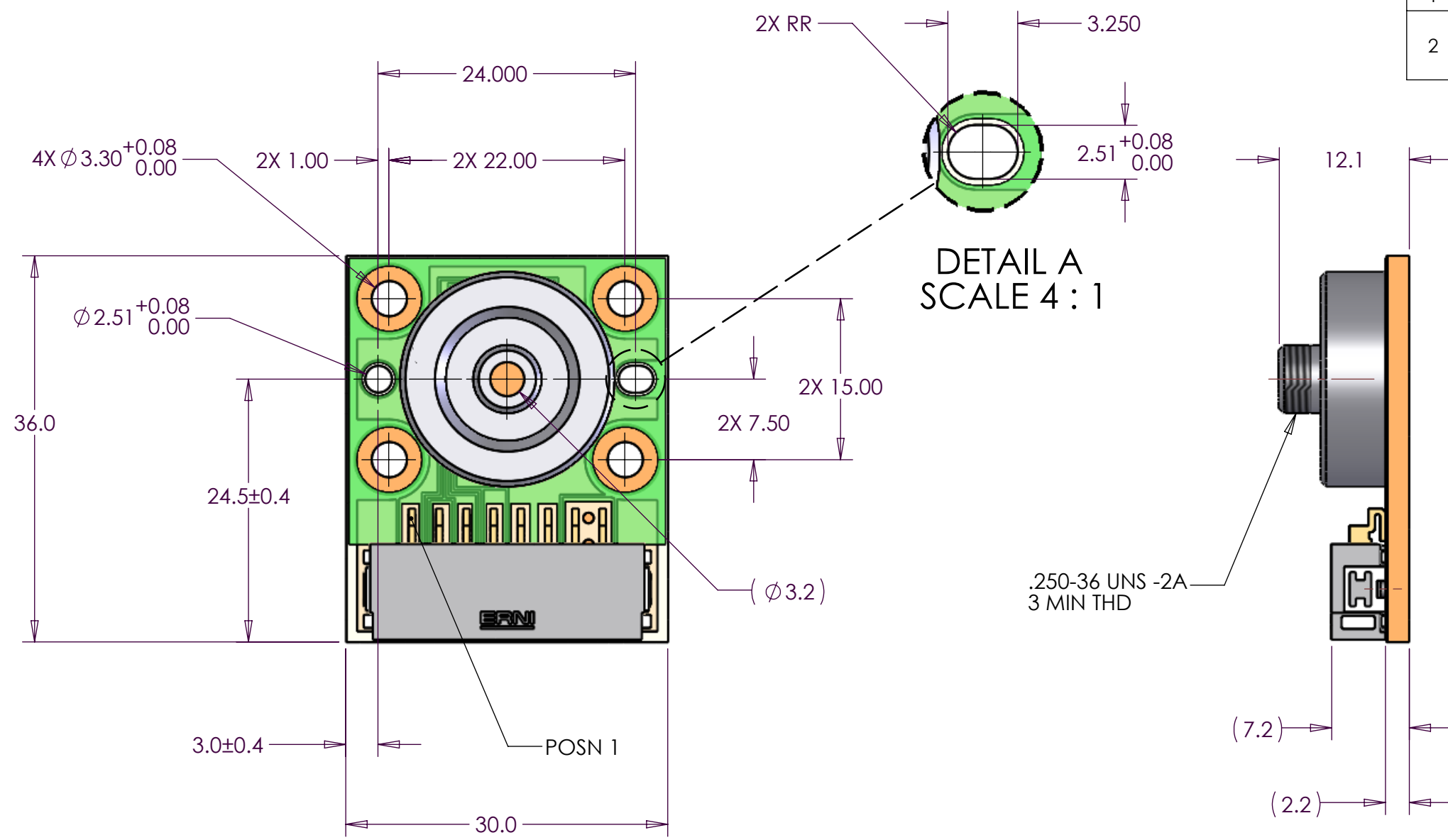


Plot Date: Thursday, April 24, 2014 Last Saved Thursday, April 24, 2014 1:52:06 PM by: Bob Gunning

REVISIONS			
REV	DESCRIPTION	DATE	ECO
1	PRERELEASE	6/7/2011	BG
2	A) DELETE PHOTO SENSOR OPTION FROM INTERCONNECT TABLE B) DELETE NOTE 2	4/24/2014	BG



DETAIL A
SCALE 4 : 1

INTERCONNECT TABLE	
CONN POSN	DEVICE
1	THERMISTOR 1
2	THERMISTOR 2
3	
4	
5	CATHODE (COMMON)
6	CATHODE (COMMON)
7	ANODE (COMMON)
8	ANODE (COMMON)

NOTES:
1. CONTENT FOR REFERENCE ONLY AND SUBJECT TO CHANGE

UNLESS OTHERWISE SPECIFIED: DIMENSIONS ARE IN MILLIMETERS TOLERANCES: 1 PLACE DECIMAL: ± 0.3 2 PLACE DECIMALS: ± 0.20 3 PLACE DECIMALS: ± 0.100 ANGLE: ± ----	DRW	BG	DATE	6/7/2011
	ENG	BG	DATE	6/7/2011
	ENG APVD	TB	DATE	6/7/2011
MATERIAL:	FINISH:			

THIS DRAWING AND SPECIFICATIONS HEREIN ARE THE PROPERTY OF INNOVATIONS IN OPTICS, INC. AND SHALL NOT BE REPRODUCED NOR COPIED NOR USED IN WHOLE OR IN PART AS THE BASIS FOR THE MANUFACTURE OR SALE OF ITEMS WITHOUT THE EXPRESS WRITTEN PERMISSION OF INNOVATIONS IN OPTICS, INC.

INSTALLATION CONTROL DRAWING

INNOVATIONS IN OPTICS, INC. 82 Cummings Park Woburn, MA 01801 TEL: (781) 933-4477 FAX: (781) 933-0007			
TITLE			
ILLUMINATOR ASSY			
SIZE	DWG. NO.	REV	
B	1700A-100-ICD	2	
SCALE: 2:1		SHEET 1 of 1	