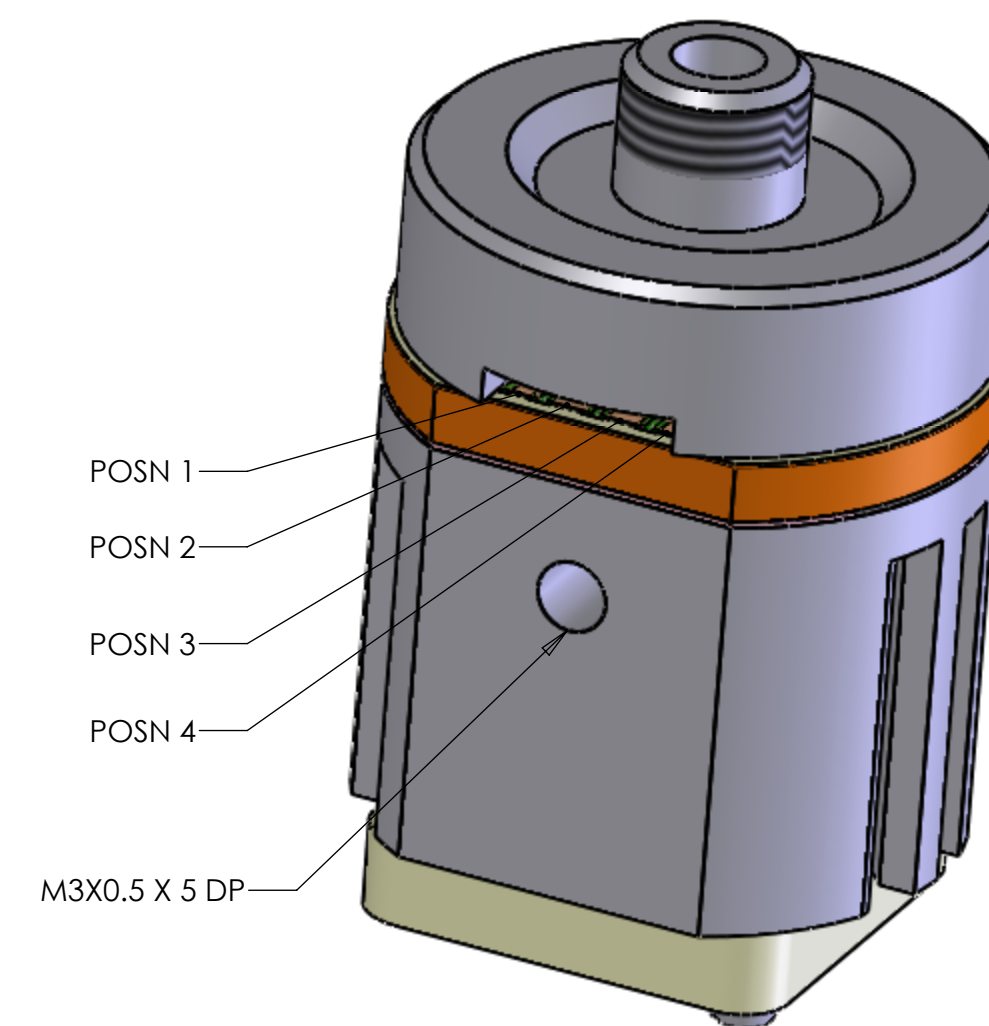
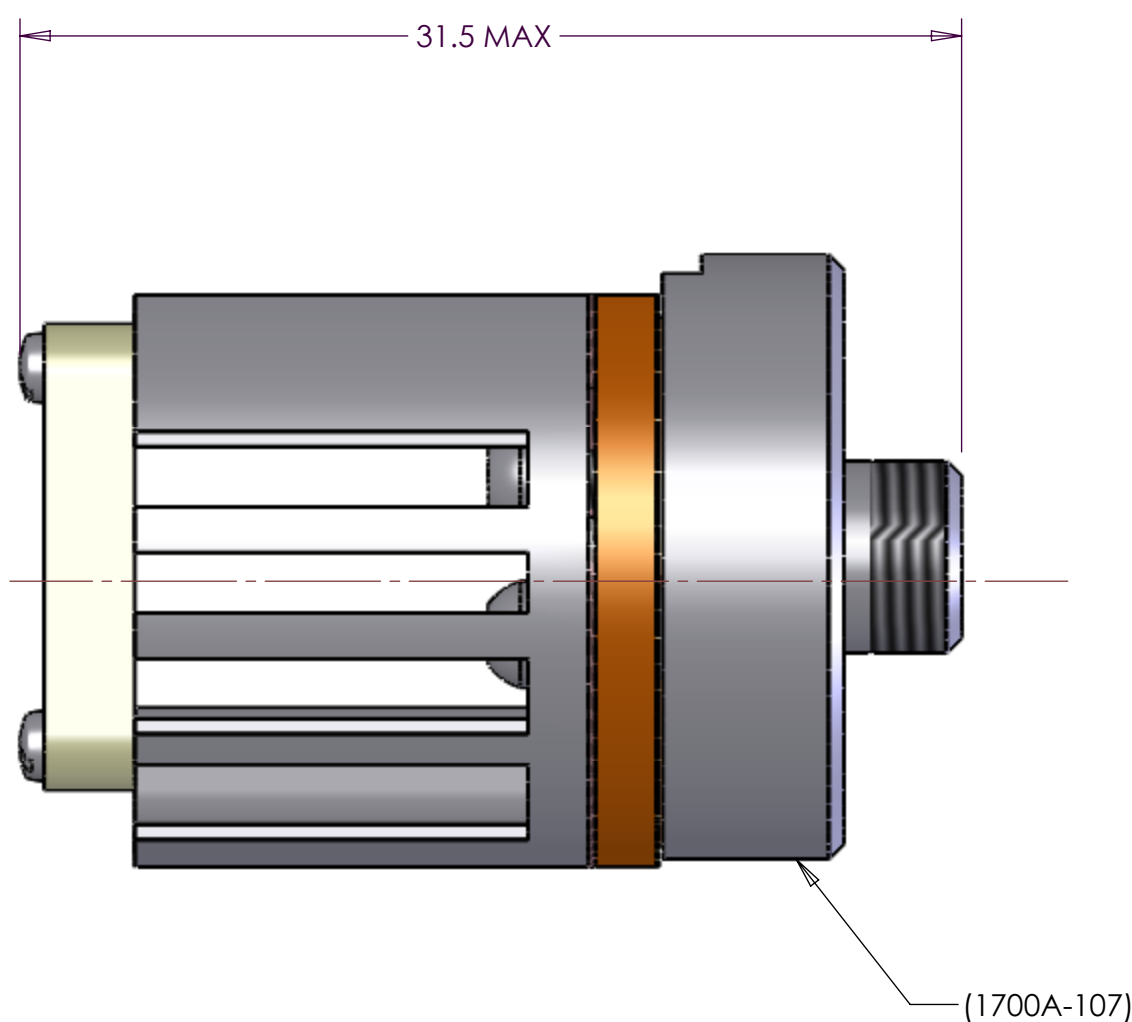
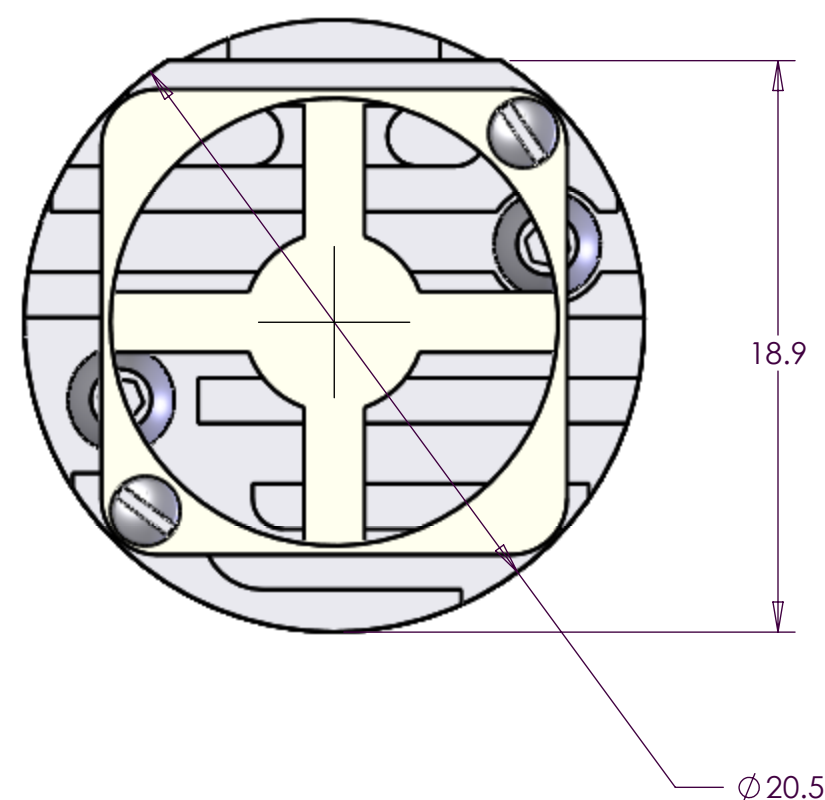


Plot Date: Friday, June 14, 2013 5:31:11 PM by: Bob Gunning

REVISIONS			
REV	DESCRIPTION	DATE	ECO
1	PRERELEASE	6/14/2013	BG

INTERCONNECT TABLE	
SOLDER PAD POSN	DEVICE
1	THERMISTOR 1
2	CATHODE (COMMON)
3	ANODE (COMMON)
4	THERMISTOR 2



NOTES:
1. CONTENT FOR REFERENCE ONLY AND SUBJECT TO CHANGE

UNLESS OTHERWISE SPECIFIED: DIMENSIONS ARE IN MILLIMETERS TOLERANCES: 1 PLACE DECIMAL: ± 0.3 2 PLACE DECIMALS: ± 0.10 3 PLACE DECIMALS: ± 0.050 ANGLE: ± ----	DRW	BG	DATE	6/14/2013
	ENG	BG	DATE	6/14/2013
	ENG APVD	TB	DATE	6/14/2013
MATERIAL: SEE PARTS LIST	FINISH:			

INSTALLATION CONTROL DRAWING



THIS DRAWING AND SPECIFICATIONS
HEREIN ARE THE PROPERTY OF
INNOVATIONS IN OPTICS, INC. AND
SHALL NOT BE REPRODUCED NOR
COPIED NOR USED IN WHOLE OR IN
PART AS THE BASIS FOR THE
MANUFACTURE OR SALE OF ITEMS
WITHOUT THE EXPRESS WRITTEN
PERMISSION OF INNOVATIONS IN
OPTICS, INC.

Innovations in Optics, Inc. 82 Cummings Park Woburn, MA 01801 TEL: (781) 933-4477 FAX: (781) 933-0007		
TITLE ILLUMINATOR ASSY		
SIZE C	DWG. NO. 1700A-200-ICD	REV 1
SCALE: 4:1	SHEET 1 of 1	