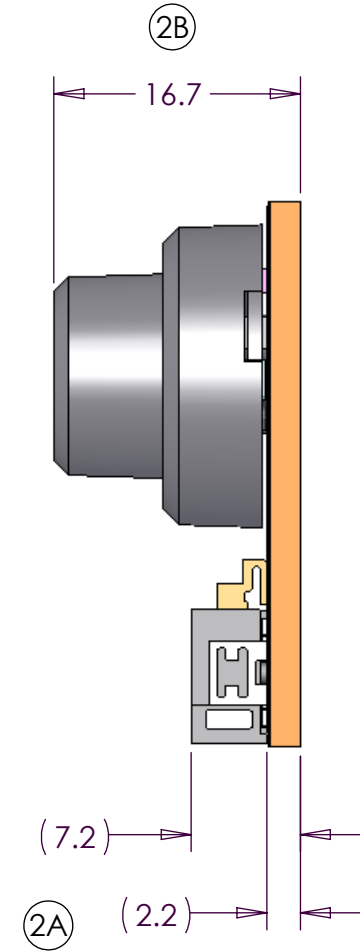
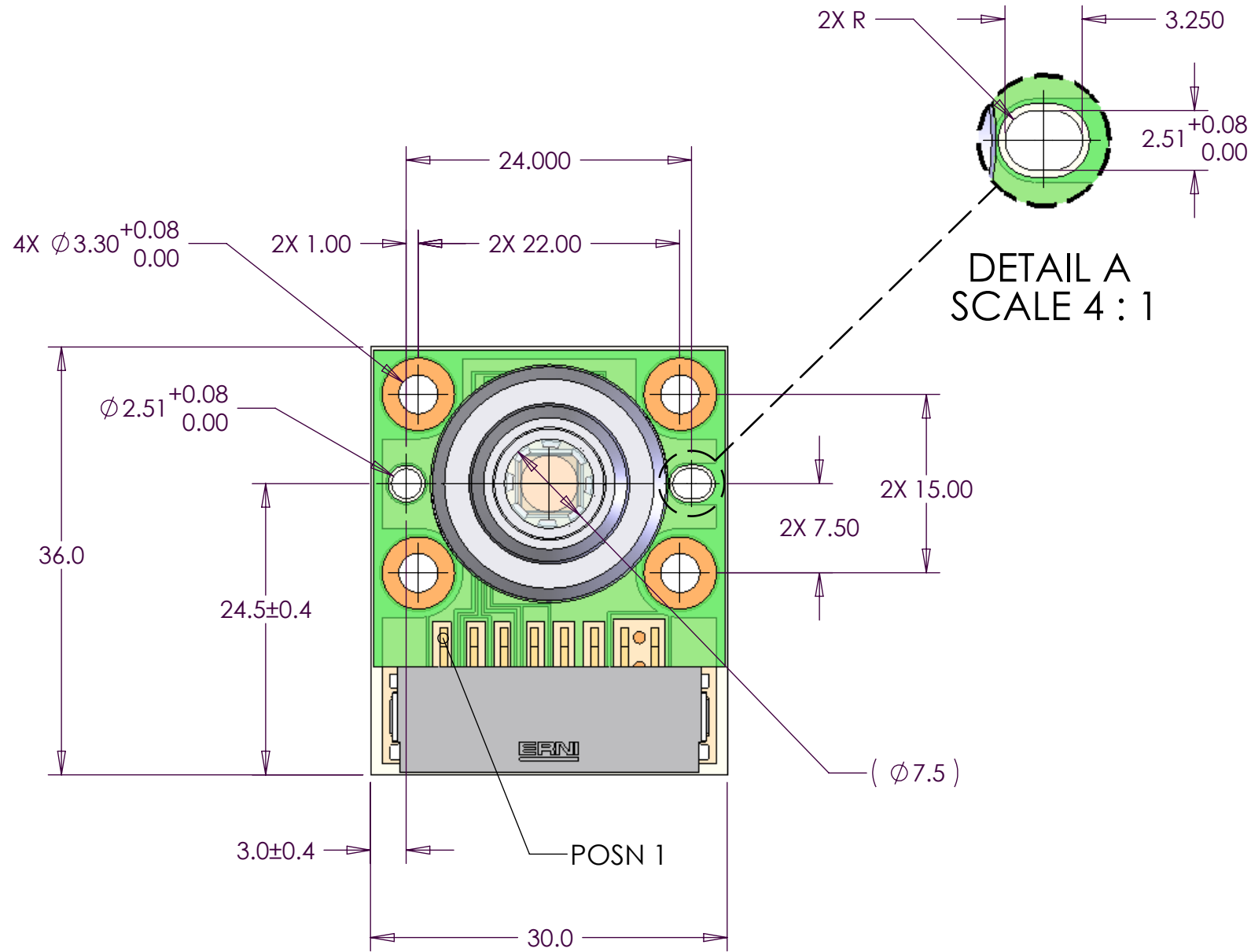


Plot Date: Tuesday, April 22, 2014 Last Saved Tuesday, April 22, 2014 11:16:25 AM by: Bob Gunning

REVISIONS			
REV	DESCRIPTION	DATE	ECO
1	PRERELEASE	6/10/2011	BG
2	A) (7.2) WAS (7.5), (2.2) WAS (2.4) B) 16.7 MAX WAS 17 MAX	1/27/2013	BG
3	A) DELETE PHOTO SENSOR OPTION FROM INTERCONNECT TABLE B) DELETE NOTE 2	4/22/2014	BG



INTERCONNECT TABLE	
CONN POSN	DEVICE
1	THERMISTOR 1
2	THERMISTOR 2
3	
4	
5	CATHODE (COMMON)
6	CATHODE (COMMON)
7	ANODE (COMMON)
8	ANODE (COMMON)

NOTES:
1. CONTENT FOR REFERENCE ONLY AND SUBJECT TO CHANGE

UNLESS OTHERWISE SPECIFIED: DIMENSIONS ARE IN MILLIMETERS TOLERANCES: 1 PLACE DECIMAL: ± 0.3 2 PLACE DECIMALS: ± 0.20 3 PLACE DECIMALS: ± 0.100 ANGLE: ± ----	DRW	BG	DATE	6/10/2011
	ENG	BG	DATE	6/10/2011
	ENG APVD	TB	DATE	6/10/2011
MATERIAL:	FINISH:			

THIS DRAWING AND SPECIFICATIONS HEREIN ARE THE PROPERTY OF INNOVATIONS IN OPTICS, INC. AND SHALL NOT BE REPRODUCED NOR COPIED NOR USED IN WHOLE OR IN PART AS THE BASIS FOR THE MANUFACTURE OR SALE OF ITEMS WITHOUT THE EXPRESS WRITTEN PERMISSION OF INNOVATIONS IN OPTICS, INC.

INNOVATIONS IN OPTICS, INC. 82 Cummings Park Woburn, MA 01801 TEL: (781) 933-4477 FAX: (781) 933-0007		
TITLE LUMIBRIGHT ASSY, 40 DEG, 7.5MM (GLASS)		
SIZE	DWG. NO.	REV
B	2400B-400-ICD	3
SCALE:	2:1	SHEET 1 of 1