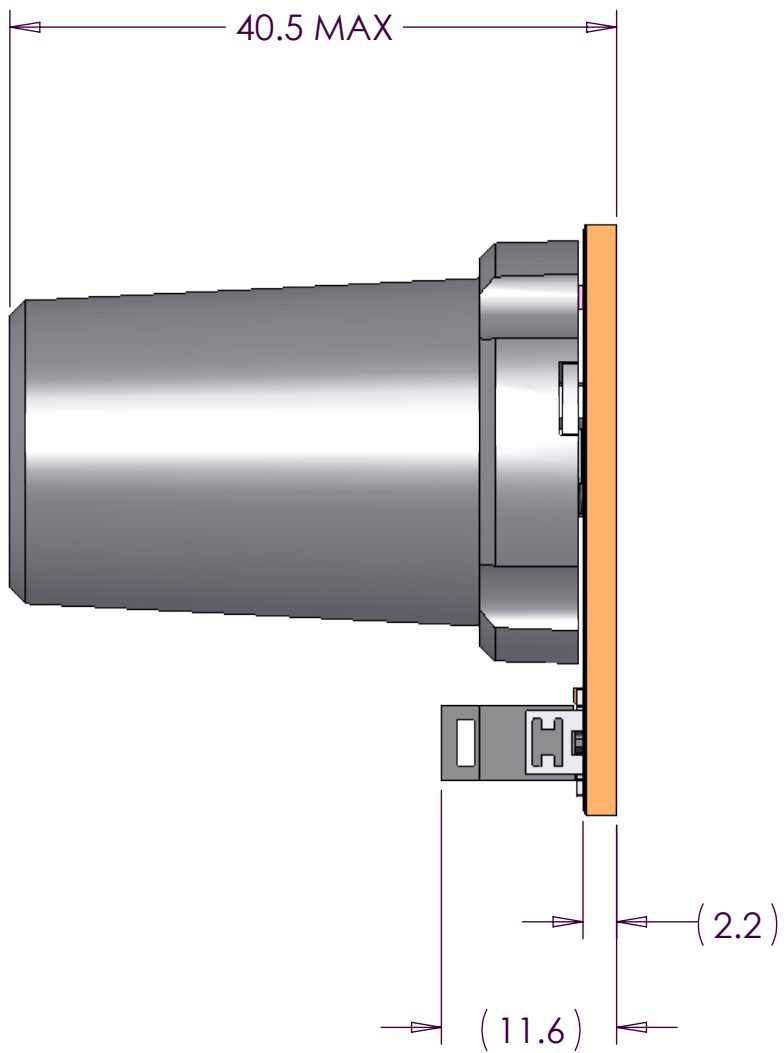
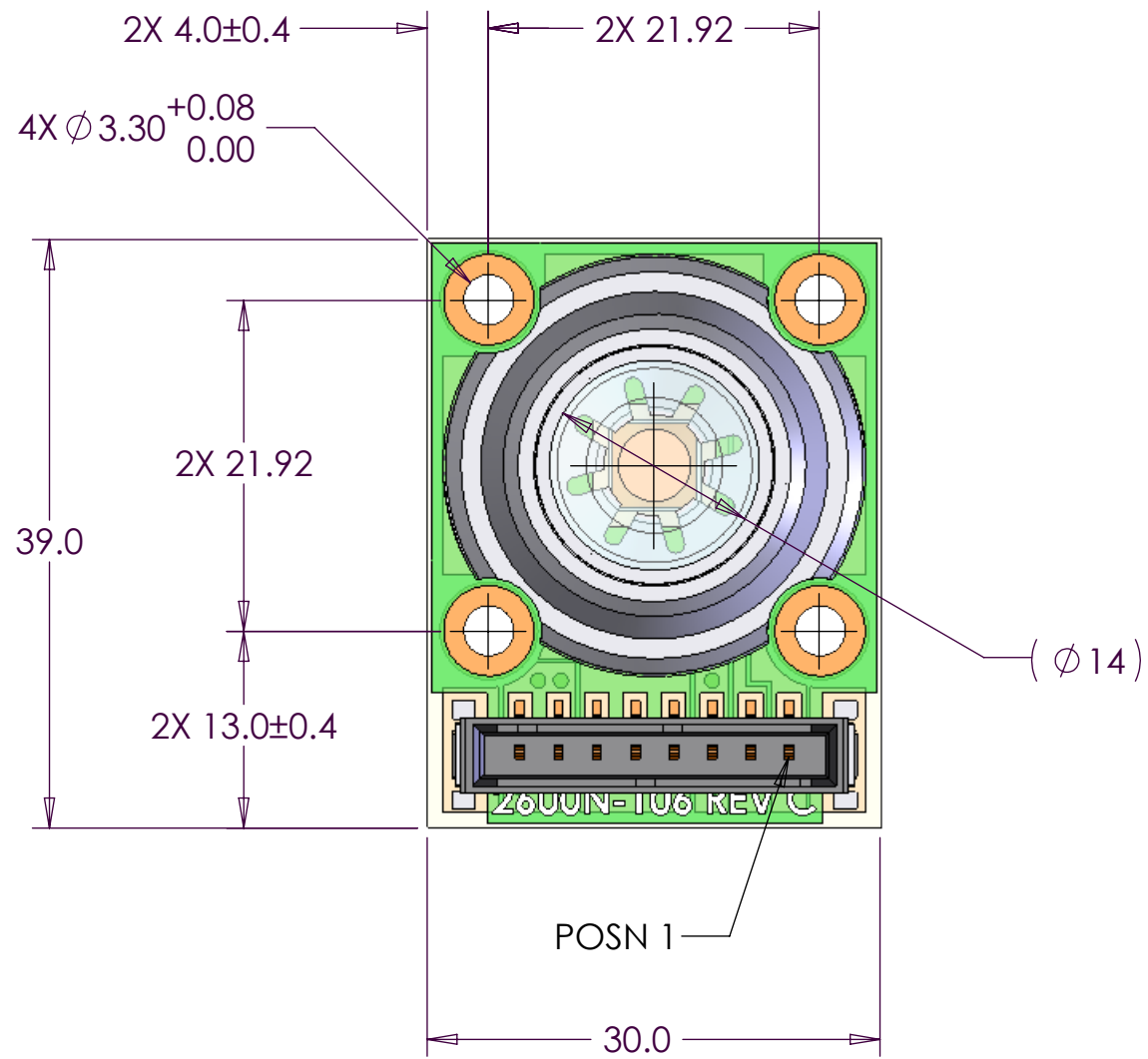


Plot Date: Tuesday, November 22, 2016 8:47:53 AM by: M4500-1

REVISIONS				
REV	ECN NO	DESCRIPTION	DATE	ENG
1	N/A	PRERELEASE	11/22/2016	BG



INTERCONNECT TABLE	
CONN POSN	DEVICE
1	THERMISTOR
2	THERMISTOR
3	VACANT
4	VACANT
5	CATHODE (COMMON)
6	CATHODE (COMMON)
7	ANODE (COMMON)
8	ANODE (COMMON)

INSTALLATION CONTROL DRAWING

NOTES:

1. CONTENT FOR REFERENCE ONLY AND SUBJECT TO CHANGE

<p>UNLESS OTHERWISE SPECIFIED: DIMENSIONS ARE IN MILLIMETERS</p> <p>TOLERANCES: 1 PLACE DECIMAL: ± 0.3 2 PLACE DECIMALS: ± 0.20 3 PLACE DECIMALS: ± 0.100 ANGLE: ± ----</p>	DRW	BG	DATE	11/22/2016		<p>INNOVATIONS IN OPTICS, INC. 82 Cummings Park Woburn, MA 01801 TEL: (781) 933-4477 FAX: (781) 933-0007</p>
	ENG	BG	DATE	11/22/2016		
	ENG APVD	TB	DATE	11/22/2016		
MATERIAL:	FINISH:		<p>THIS DRAWING AND SPECIFICATIONS HEREIN ARE THE PROPERTY OF INNOVATIONS IN OPTICS, INC. AND SHALL NOT BE REPRODUCED NOR COPIED NOR USED IN WHOLE OR IN PART AS THE BASIS FOR THE MANUFACTURE OR SALE OF ITEMS WITHOUT THE EXPRESS WRITTEN PERMISSION OF INNOVATIONS IN OPTICS, INC.</p>			<p>TITLE LUMIBRIGHT ASSY, 20 DEG, 14.2MM (SILICA)</p>
		SIZE	DWG. NO.	2600N-705-ICD	REV	1
		SCALE:	2:1	SHEET 1 of 1		