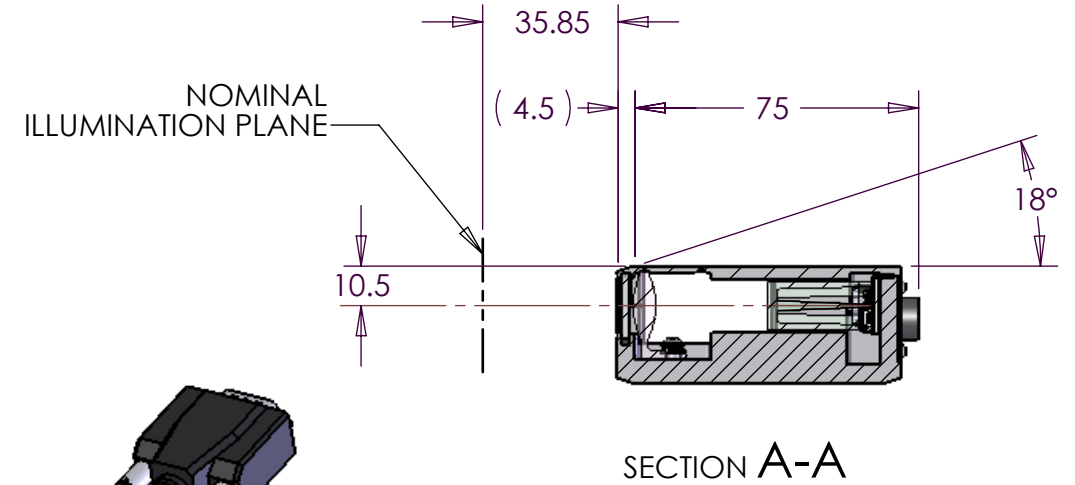
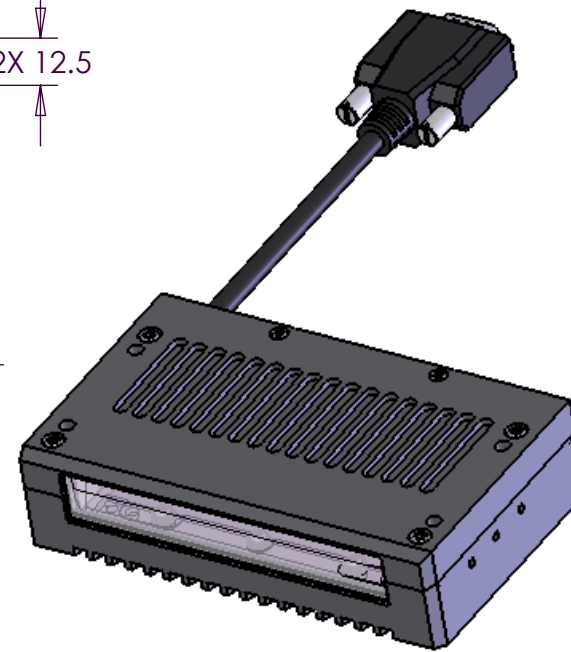
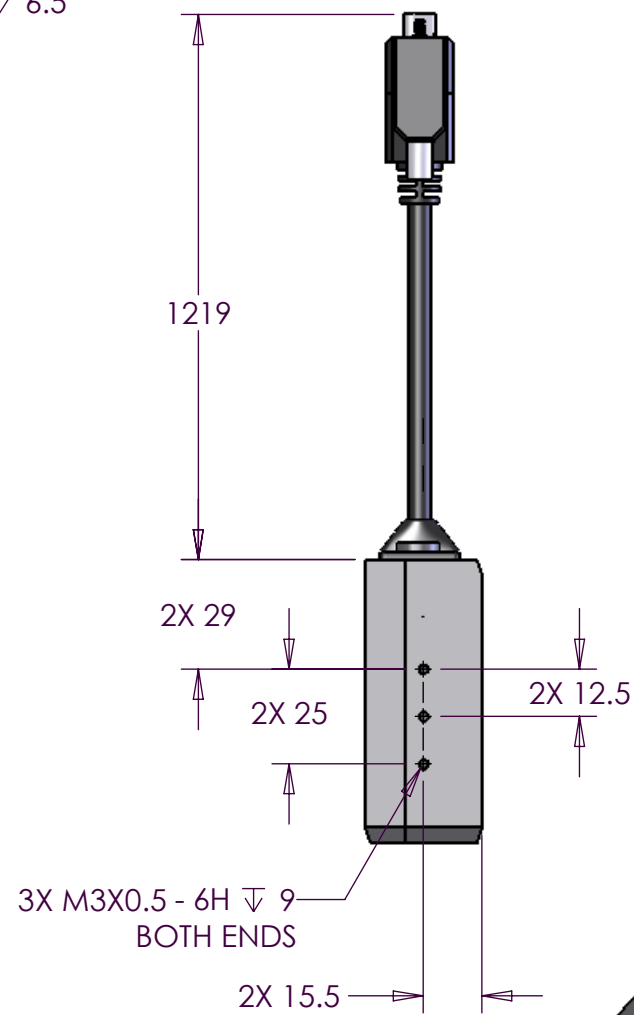
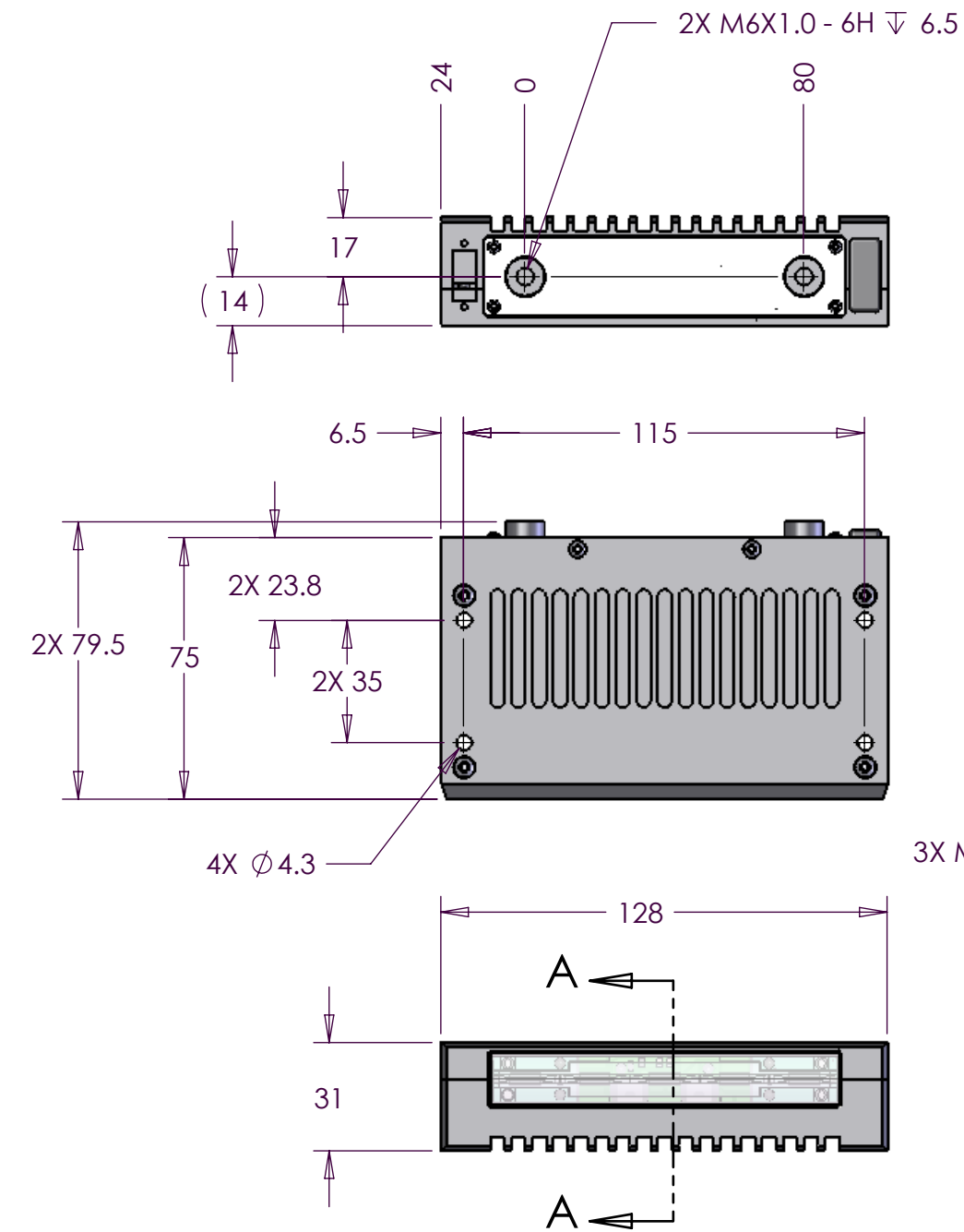


Plot Date: Friday, June 26, 2015 1:25:41 PM by: Bob Gunning



| REVISIONS |                  |           |     |
|-----------|------------------|-----------|-----|
| REV       | DESCRIPTION      | DATE      | ECO |
| 1         | PRERELEASE       | 6/10/2011 | BG  |
| 2         | PICTORIAL UPDATE | 5/19/2014 | BG  |
| 3         | PICTORIAL UPDATE | 1/24/2015 | BG  |

## INSTALLATION CONTROL DRAWING

NOTES:

1. CONTENT FOR REFERENCE ONLY AND SUBJECT TO CHANGE

|   |          |    |      |           |
|---|----------|----|------|-----------|
| <b>UNLESS OTHERWISE SPECIFIED:</b><br>DIMENSIONS ARE IN MILLIMETERS<br><br><b>TOLERANCES:</b><br>1 PLACE DECIMAL: ± ----<br>2 PLACE DECIMALS: ± ----<br>3 PLACE DECIMALS: ± ----<br>ANGLE: ± ---- | DRW      | BG | DATE | 6/10/2011 |
|   | ENG      | BG | DATE | 6/10/2011 |
|   | ENG APVD | TB | DATE | 6/10/2011 |
| MATERIAL:   | FINISH:  |    |      |           |



THIS DRAWING AND SPECIFICATIONS HEREIN ARE THE PROPERTY OF INNOVATIONS IN OPTICS, INC. AND SHALL NOT BE REPRODUCED NOR COPIED NOR USED IN WHOLE OR IN PART AS THE BASIS FOR THE MANUFACTURE OR SALE OF ITEMS WITHOUT THE EXPRESS WRITTEN PERMISSION OF INNOVATIONS IN OPTICS, INC.

INNOVATIONS IN OPTICS, INC.

82 Cummings Park  
Woburn, MA 01801  
TEL: (781) 933-4477 FAX: (781) 933-0007

TITLE  
**LUMIBRIGHT LS4 ASSY**

SIZE **B** DWG. NO. **2604A-100-ICD** REV **3**

SCALE: 1:2 SHEET 1 of 1