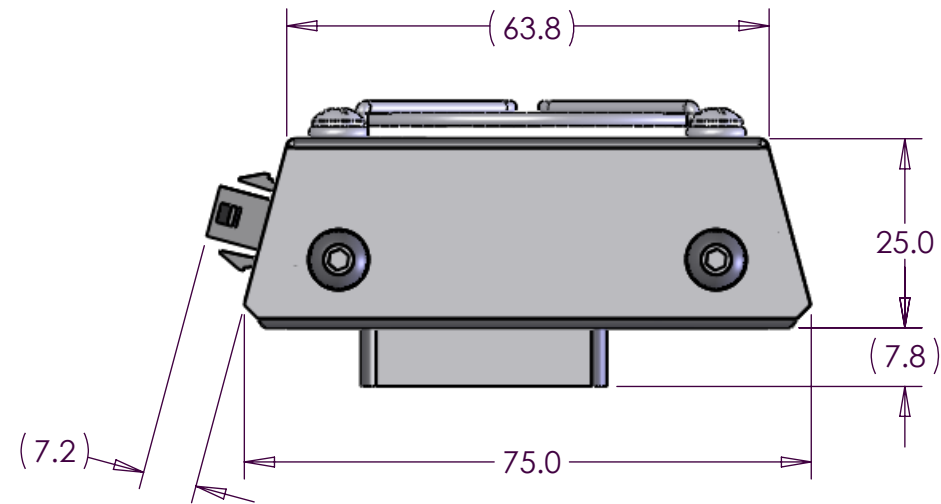
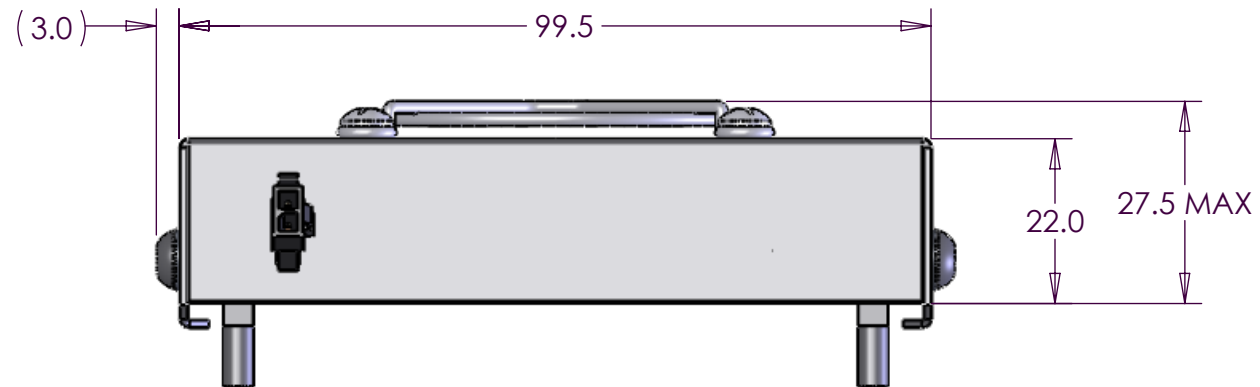
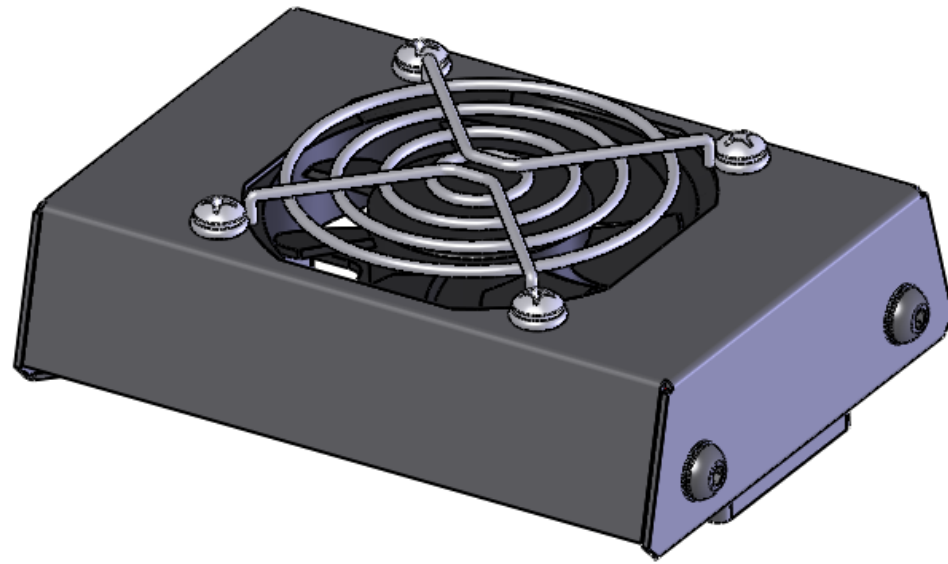


Plot Date: Monday, July 16, 2012 10:09:24 AM by: Bob Gunning

REVISIONS			
REV	DESCRIPTION	DATE	ECO
1	PRERELEASE	7/14/2012	BG



NOTES:
1. CONTENT FOR REFERENCE ONLY AND SUBJECT TO CHANGE

UNLESS OTHERWISE SPECIFIED:
DIMENSIONS ARE IN MILLIMETERS

TOLERANCES:
1 PLACE DECIMAL: ± .5 mm
2 PLACE DECIMALS: ± .25 mm
3 PLACE DECIMALS: ± .100 mm
ANGLE: ± ----

MATERIAL:

DRW	BG	DATE	7/14/2012
ENG	BG	DATE	7/14/2012
ENG APVD	TB	DATE	7/14/2012

FINISH:



THIS DRAWING AND SPECIFICATIONS
HEREIN ARE THE PROPERTY OF
INNOVATIONS IN OPTICS, INC. AND SHALL
NOT BE REPRODUCED NOR COPIED
NOR USED IN WHOLE OR IN PART AS
THE BASIS FOR THE MANUFACTURE
OR SALE OF ITEMS WITHOUT THE
EXPRESS WRITTEN PERMISSION OF
INNOVATIONS IN OPTICS, INC.

INSTALLATION CONTROL DRAWING

INNOVATIONS IN OPTICS, INC.

82 Cummings Park
Woburn, MA 01801
TEL: (781) 933-4477 FAX: (781) 933-0007

TITLE			
PLENUM ASSY			
SIZE	DWG. NO.	REV	
B	2604A-200-ICD	1	
SCALE: 1:1		SHEET 1 of 1	