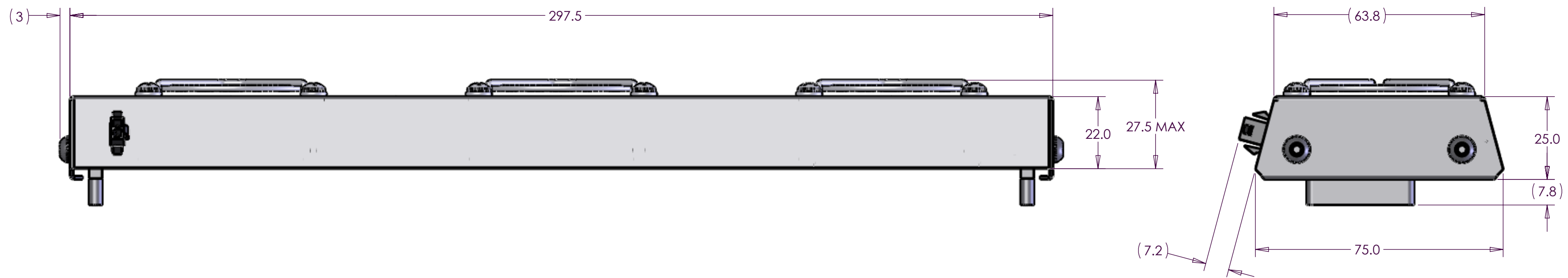
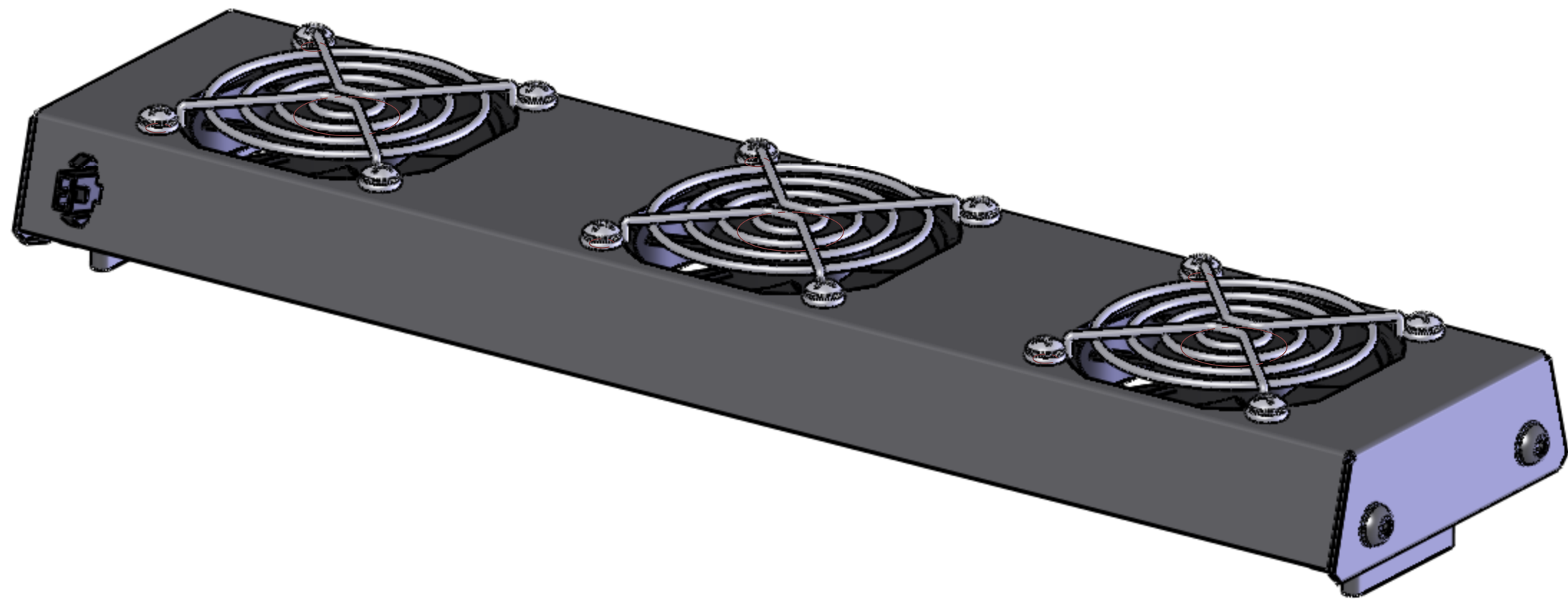


Plot Date: Saturday, December 15, 2012 Last Saved Saturday, December 15, 2012 6:22:50 AM by: Bob Gunning

REVISIONS			
REV	DESCRIPTION	DATE	ECO
1	PRERELEASE	9/14/2012	BG



NOTES:
1. CONTENT FOR REFERENCE ONLY AND SUBJECT TO CHANGE

UNLESS OTHERWISE SPECIFIED: DIMENSIONS ARE IN MILLIMETERS TOLERANCES: 1 PLACE DECIMAL: ± ---- 2 PLACE DECIMALS: ± ---- 3 PLACE DECIMALS: ± ---- ANGLE: ± ----	DRW	BG	DATE	9/14/2012
	ENG	BG	DATE	9/14/2012
	ENG APVD	TB	DATE	9/14/2012
MATERIAL: SEE PARTS LIST	FINISH:			

THIS DRAWING AND SPECIFICATIONS
HEREIN ARE THE PROPERTY OF
INNOVATIONS IN OPTICS, INC. AND
SHALL NOT BE REPRODUCED NOR
COPIED NOR USED IN WHOLE OR IN
PART AS THE BASIS FOR THE
MANUFACTURE OR SALE OF ITEMS
WITHOUT THE EXPRESS WRITTEN
PERMISSION OF INNOVATIONS IN
OPTICS, INC.

INSTALLATION CONTROL DRAWING

Innovations in Optics, Inc. 82 Cummings Park Woburn, MA 01801 TEL: (781) 933-4477 FAX: (781) 933-0007		
TITLE PLENUM ASSY		
SIZE C	DWG. NO. 2612A-200-ICD	REV 1
SCALE: 1:1	SHEET 1 of 1	