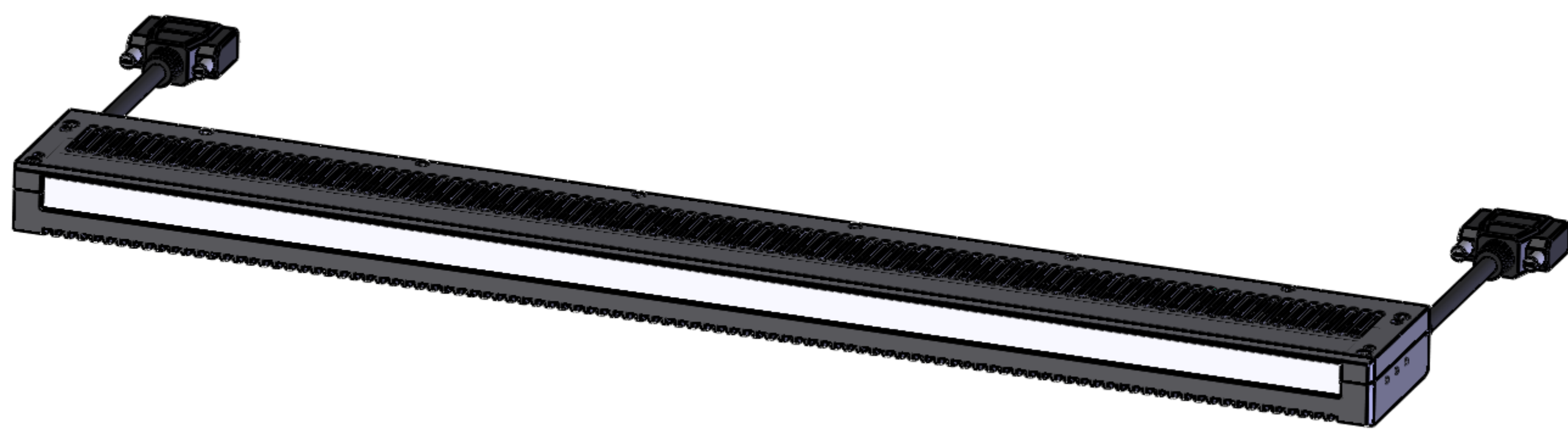
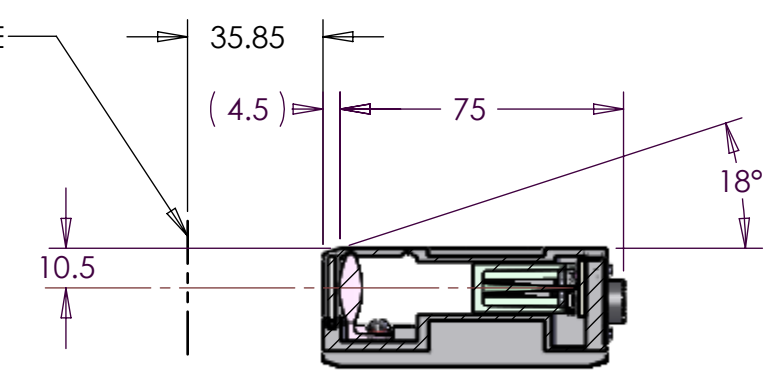
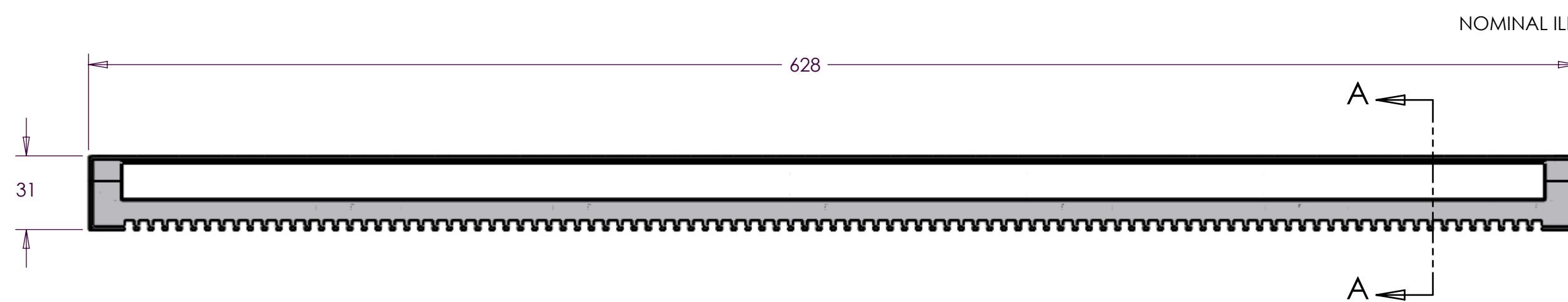
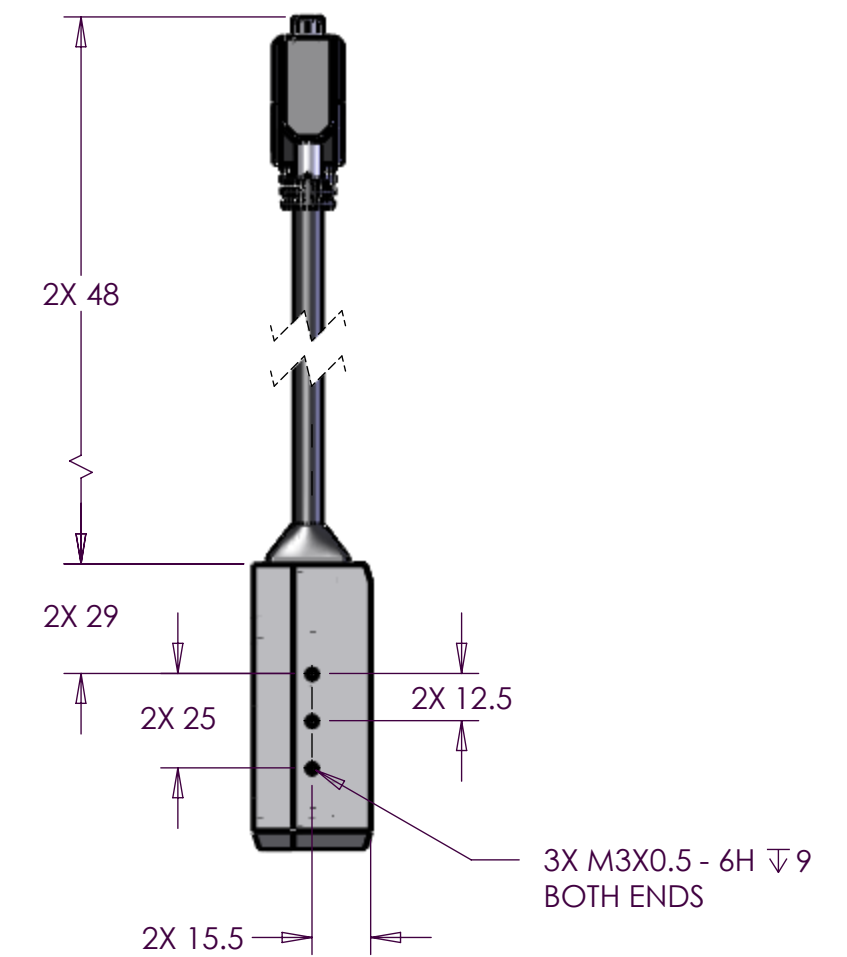
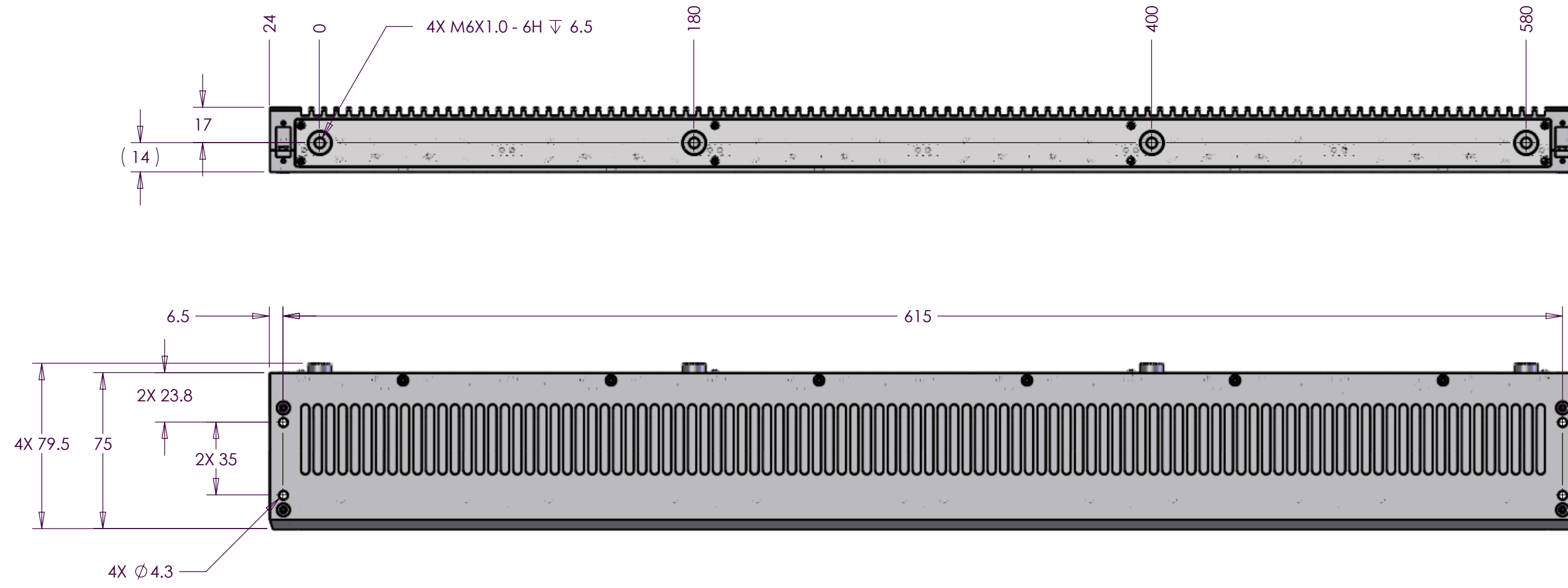


Plot Date: Friday, May 23, 2014 Last Saved Friday, May 23, 2014 2:19:14 PM by: Bob Gunning

REVISIONS			
REV	DESCRIPTION	DATE	ECO
1	PRERELEASE	6/10/2011	BG
2	A) PICTORIAL UPDATE	5/23/2014	BG



NOTES:
1. CONTENT FOR REFERENCE ONLY AND SUBJECT TO CHANGE

UNLESS OTHERWISE SPECIFIED: DIMENSIONS ARE IN MILLIMETERS	DRW	BG	DATE	6/10/2011
	ENG	BG	DATE	6/10/2011
	ENG APVD	TB	DATE	6/10/2011
MATERIAL:	FINISH:			

THIS DRAWING AND SPECIFICATIONS
HEREIN ARE THE PROPERTY OF
INNOVATIONS IN OPTICS, INC. AND
SHALL NOT BE REPRODUCED NOR
COPIED NOR USED IN WHOLE OR IN
PART AS THE BASIS FOR THE
MANUFACTURE OR SALE OF ITEMS
WITHOUT THE EXPRESS WRITTEN
PERMISSION OF INNOVATIONS IN
OPTICS, INC.

Innovations in Optics, Inc. 82 Cummings Park Woburn, MA 01801 TEL: (781) 933-4477 FAX: (781) 933-0007			
TITLE LUMIBRIGHT LS24 ASSY			
SIZE C	DWG. NO.	2624A-100-ICD	REV 2
SCALE: 1:2	SHEET 1 of 1		

INSTALLATION CONTROL DRAWING