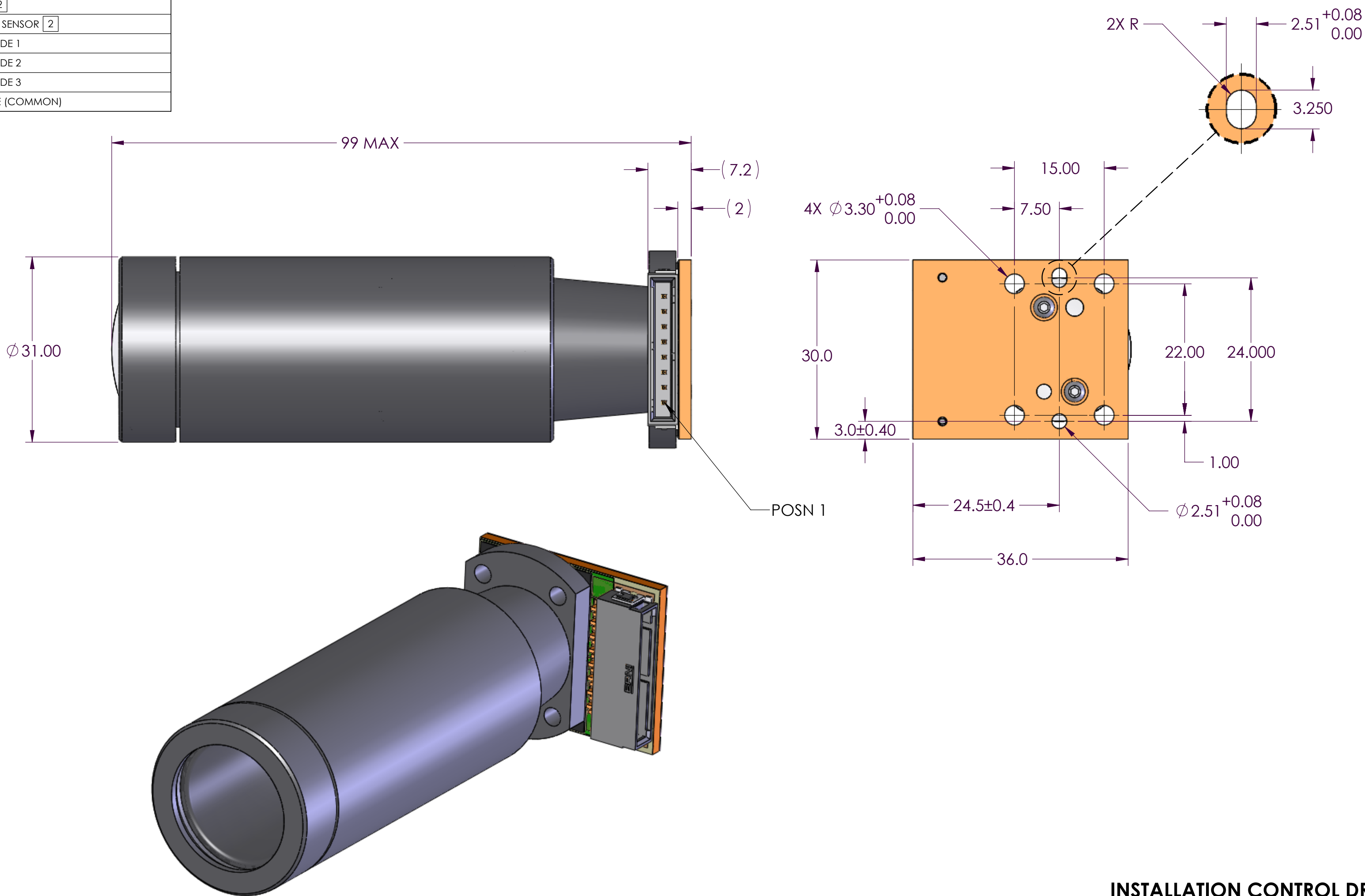


Plot Date: Friday, September 16, 2011 12:54:27 PM by: Bob Gunning

INTERCONNECT TABLE	
CONN POSN	DEVICE
1	THERMISTOR 1 & PHOTO SENSOR GND [2]
2	THERMISTOR 2
3	VCC [2]
4	PHOTO SENSOR [2]
5	CATHODE 1
6	CATHODE 2
7	CATHODE 3
8	ANODE (COMMON)

REVISIONS			
REV	DESCRIPTION	DATE	ECO
1	PRERELEASE	9/16/2011	BG



- NOTES:
1. CONTENT FOR REFERENCE ONLY AND SUBJECT TO CHANGE
  - 2 IF EQUIPPED

### INSTALLATION CONTROL DRAWING

UNLESS OTHERWISE SPECIFIED: DIMENSIONS ARE IN MILLIMETERS <b>TOLERANCES:</b> 1 PLACE DECIMAL: ± 0.3 2 PLACE DECIMALS: ± 0.20 3 PLACE DECIMALS: ± 0.100 ANGLE: ± ----	DRW	BG	DATE	6/6/2011
	ENG	BG	DATE	6/6/2011
	ENG APVD	TB	DATE	6/6/2011
MATERIAL:	FINISH:			

THIS DRAWING AND SPECIFICATIONS  
HEREIN ARE THE PROPERTY OF  
INNOVATIONS IN OPTICS, INC. AND  
SHALL NOT BE REPRODUCED NOR  
COPIED NOR USED IN WHOLE OR IN  
PART AS THE BASIS FOR THE  
MANUFACTURE OR SALE OF ITEMS  
WITHOUT THE EXPRESS WRITTEN  
PERMISSION OF INNOVATIONS IN  
OPTICS, INC.

Innovations in Optics, Inc. 82 Cummings Park Woburn, MA 01801 TEL: (781) 933-4477 FAX: (781) 933-0007		
TITLE <b>ILLUMINATOR ASSY WITH FOCUS</b>		
SIZE <b>C</b>	DWG. NO. <b>2910A-100-ICD</b>	REV <b>1</b>
SCALE: 2:1	SHEET 1 of 1	