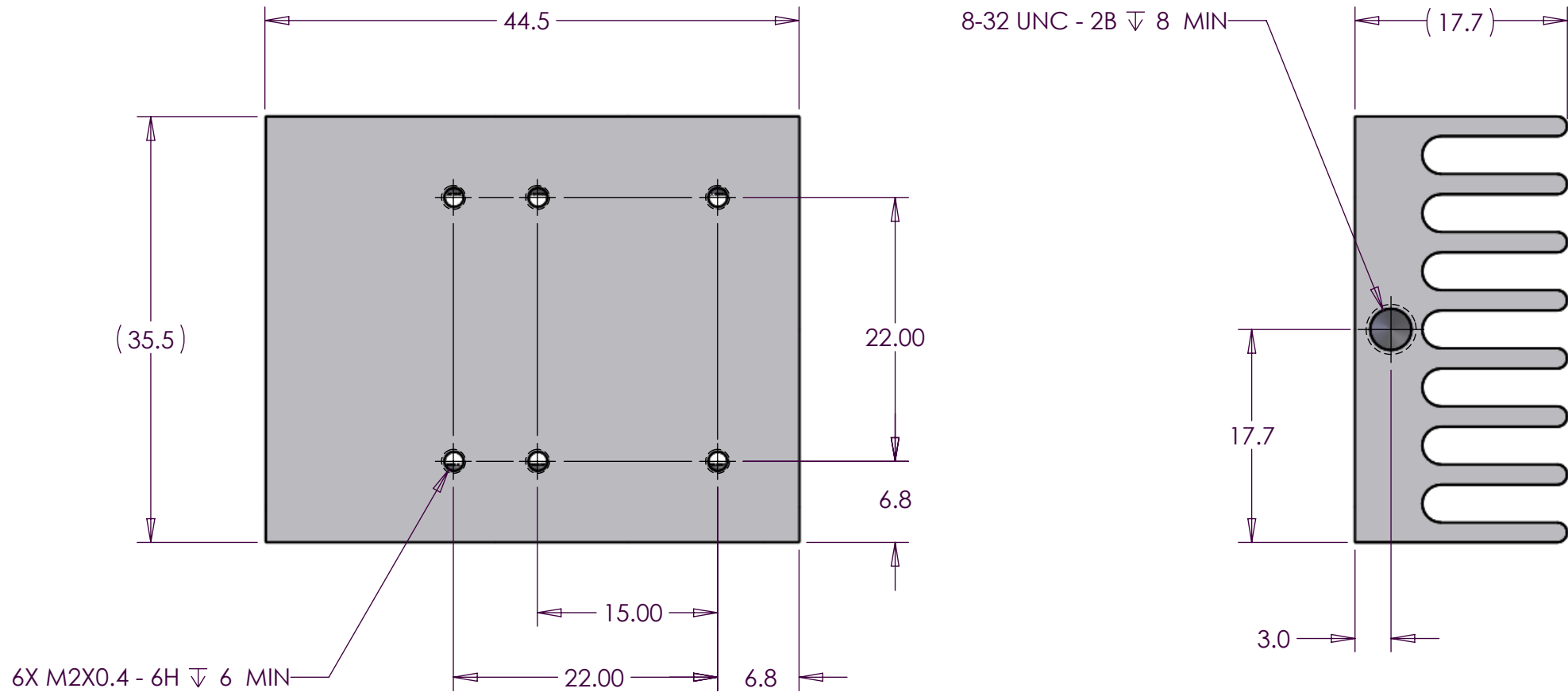


Plot Date: Thursday, July 05, 2012 4:24:02 PM by: Bob Gunning

REVISIONS			
REV	DESCRIPTION	DATE	ECO
1	PRERELEASE	7/5/2012	BG



- NOTES:
1. CONTENT FOR REFERENCE ONLY AND SUBJECT TO CHANGE
 2. HARDWARE REMOVED FOR CLARITY

INSTALLATION CONTROL DRAWING

UNLESS OTHERWISE SPECIFIED: DIMENSIONS ARE IN MILLIMETERS TOLERANCES: 1 PLACE DECIMAL: ±.3 mm 2 PLACE DECIMALS: ±.10 mm 3 PLACE DECIMALS: ±.050 mm ANGLE: ±1°	DRW	BG	DATE	7/5/2012		INNOVATIONS IN OPTICS, INC. 82 Cummings Park Woburn, MA 01801 TEL: (781) 933-4477 FAX: (781) 933-0007		
	ENG	BG	DATE	7/5/2012		TITLE	HEAT SINK OPTION PKG	
	ENG APVD	TB	DATE	7/5/2012		SIZE	DWG. NO. 3100A-100-ICD	REV 1
MATERIAL:	FINISH:			THIS DRAWING AND SPECIFICATIONS HEREIN ARE THE PROPERTY OF INNOVATIONS IN OPTICS, INC. AND SHALL NOT BE REPRODUCED NOR COPIED NOR USED IN WHOLE OR IN PART AS THE BASIS FOR THE MANUFACTURE OR SALE OF ITEMS WITHOUT THE EXPRESS WRITTEN PERMISSION OF INNOVATIONS IN OPTICS, INC.		SCALE: 2:1	SHEET 1 of 1	