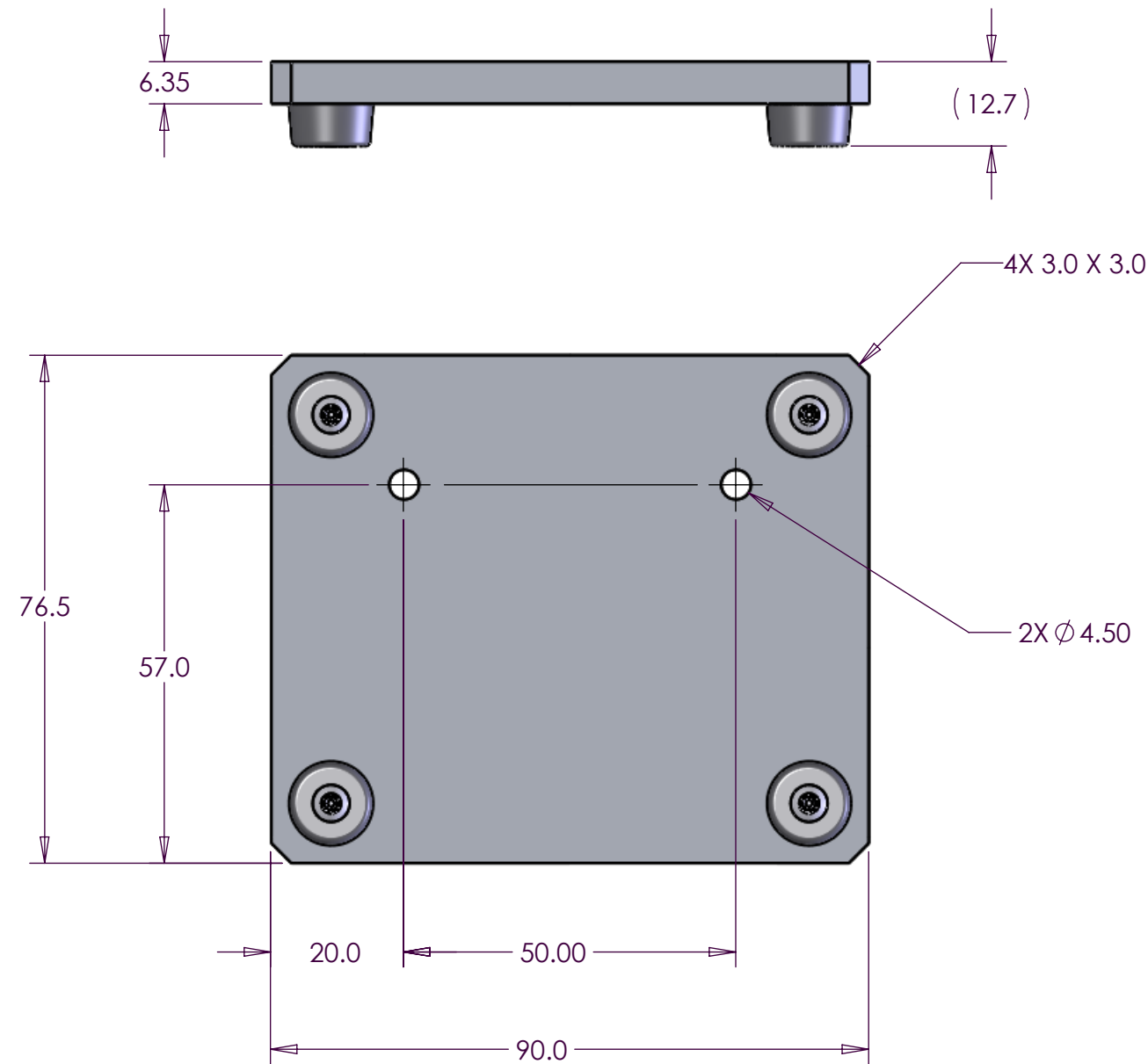


Plot Date: Thursday, September 20, 2012 10:08:46 AM by: Bob Gunning


REVISIONS			
REV	DESCRIPTION	DATE	ECO
1	PRERELEASE	9/20/2012	BG



INSTALLATION CONTROL DRAWING

NOTES:

1. CONTENT FOR REFERENCE ONLY AND SUBJECT TO CHANGE

<p>UNLESS OTHERWISE SPECIFIED: DIMENSIONS ARE IN MILLIMETERS</p> <p>TOLERANCES: 1 PLACE DECIMAL: ± .3 mm 2 PLACE DECIMALS: ± .10 mm 3 PLACE DECIMALS: ± .050 mm ANGLE: ± ----</p>	DRW	BG	DATE	9/20/2012	 <p>THIS DRAWING AND SPECIFICATIONS HEREIN ARE THE PROPERTY OF INNOVATIONS IN OPTICS, INC. AND SHALL NOT BE REPRODUCED NOR COPIED NOR USED IN WHOLE OR IN PART AS THE BASIS FOR THE MANUFACTURE OR SALE OF ITEMS WITHOUT THE EXPRESS WRITTEN PERMISSION OF INNOVATIONS IN OPTICS, INC.</p>	INNOVATIONS IN OPTICS, INC. 82 Cummings Park Woburn, MA 01801 TEL: (781) 933-4477 FAX: (781) 933-0007	
	ENG	BG	DATE	9/20/2012		TITLE HEAT SINK STAND ASSY	
	ENG APVD	TB	DATE	9/20/2012		MATERIAL: FINISH:	SIZE B DWG. NO. 3100A-112-ICD REV 1
					SCALE: 1:1	SHEET 1 of 1	