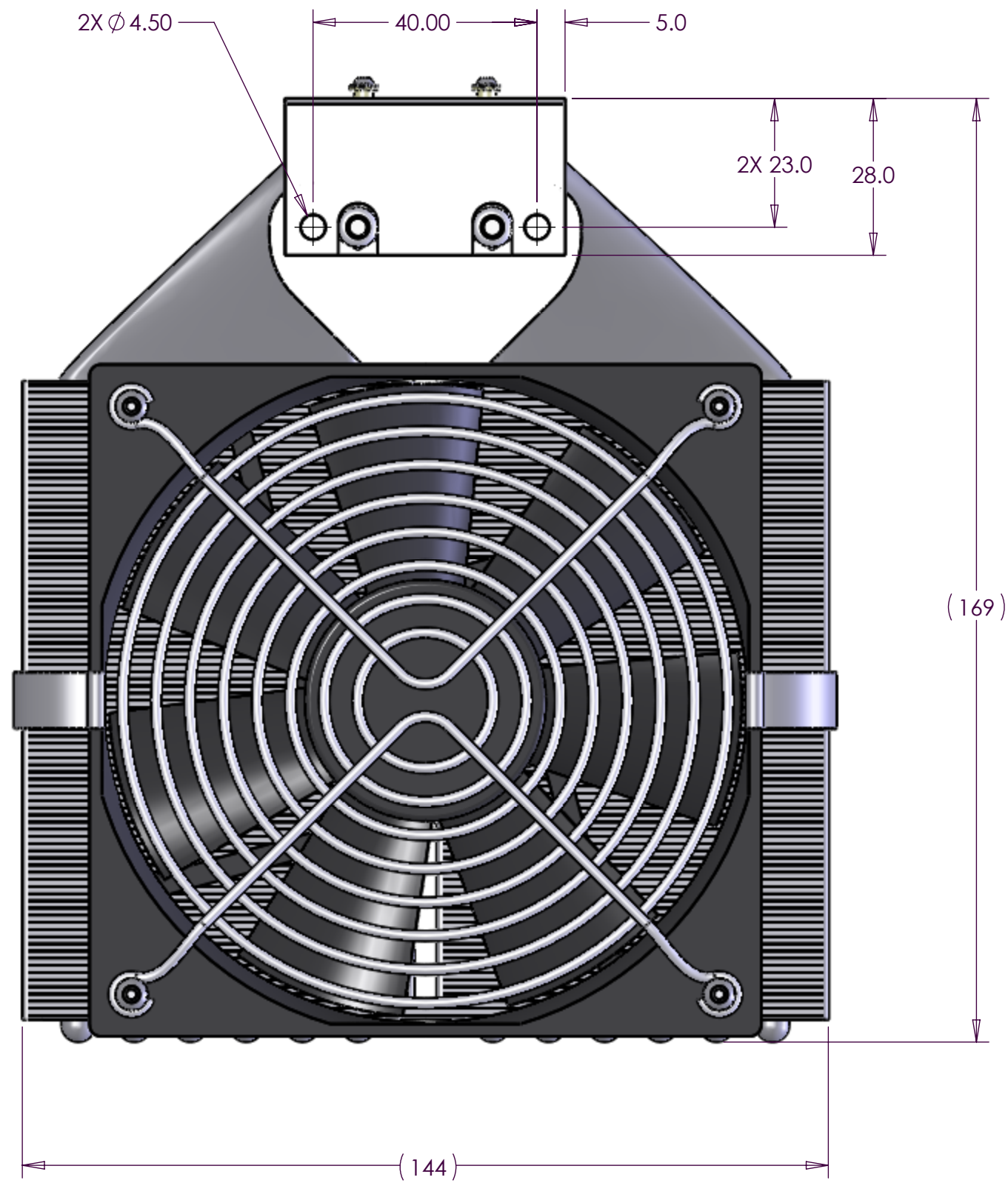
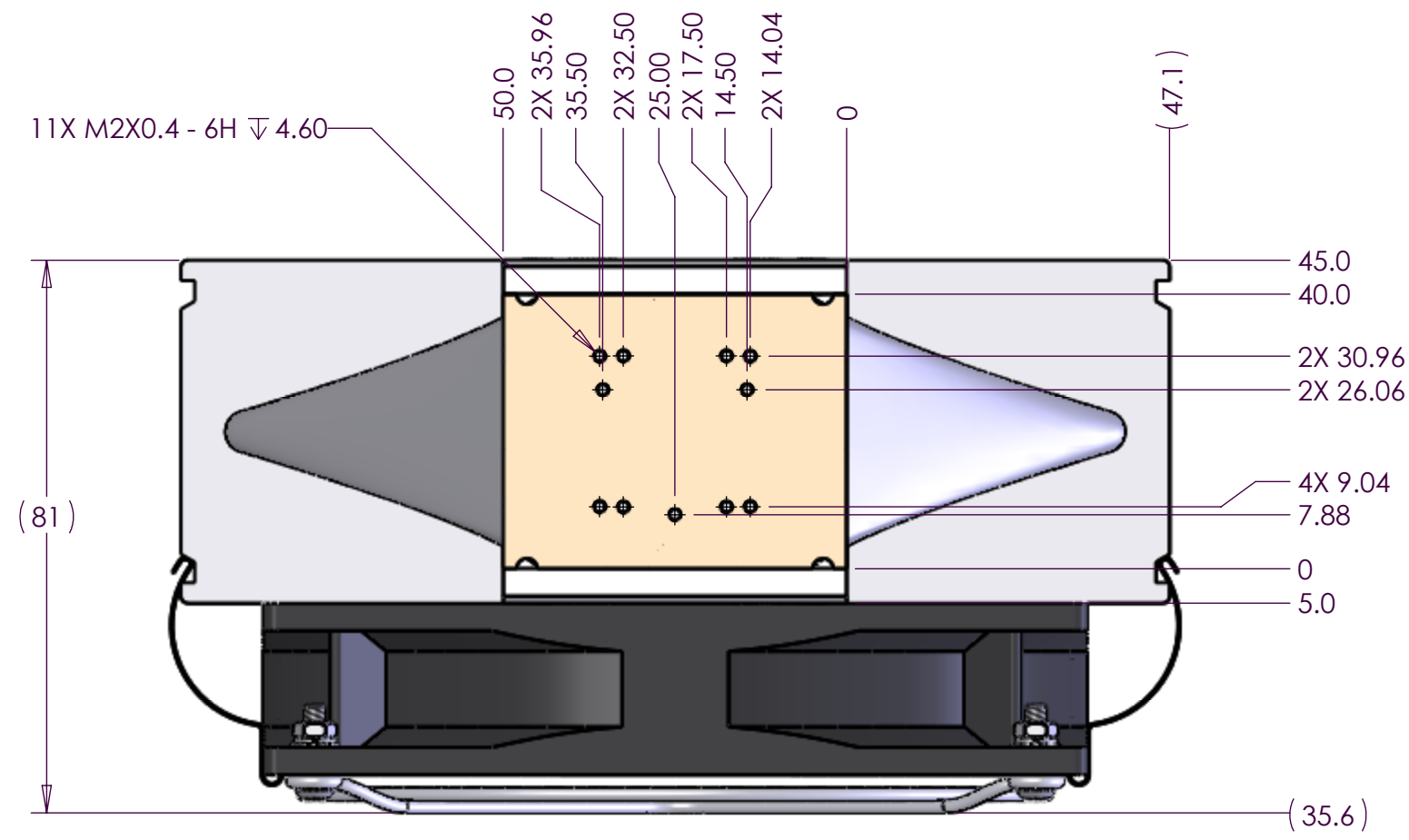
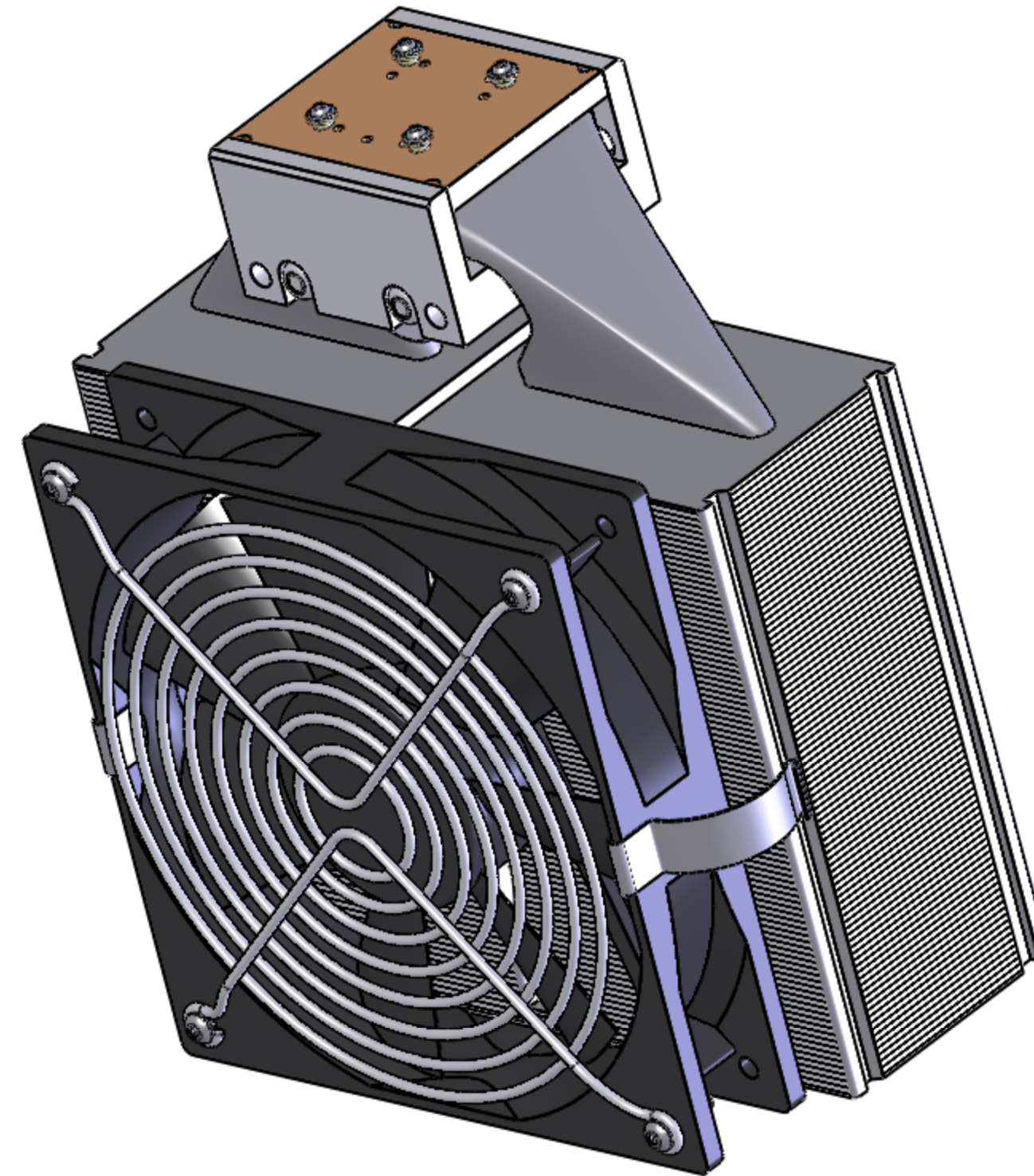


Plot Date: Tuesday, July 17, 2012 Last Saved Tuesday, July 17, 2012 9:27:39 AM by: Bob Gunning

REVISIONS			
REV	DESCRIPTION	DATE	ECO
1	PRERELEASE	7/13/2012	BG



NOTES:
1. CONTENT FOR REFERENCE ONLY AND SUBJECT TO CHANGE



INSTALLATION CONTROL DRAWING

UNLESS OTHERWISE SPECIFIED: DIMENSIONS ARE IN MILLIMETERS TOLERANCES: 1 PLACE DECIMAL: $\pm .3$ 2 PLACE DECIMALS: $\pm .10$ 3 PLACE DECIMALS: $\pm .050$ ANGLE: \pm ----	DRW	BG	DATE	7/13/2012
	ENG	BG	DATE	7/13/2012
	ENG APVD	TB	DATE	7/13/2012
MATERIAL:	FINISH:			



THIS DRAWING AND SPECIFICATIONS
HEREIN ARE THE PROPERTY OF
INNOVATIONS IN OPTICS, INC. AND
SHALL NOT BE REPRODUCED NOR
COPIED NOR USED IN WHOLE OR IN
PART AS THE BASIS FOR THE
MANUFACTURE OR SALE OF ITEMS
WITHOUT THE EXPRESS WRITTEN
PERMISSION OF INNOVATIONS IN
OPTICS, INC.

Innovations in Optics, Inc. 82 Cummings Park Woburn, MA 01801 TEL: (781) 933-4477 FAX: (781) 933-0007			
TITLE HEAT EXCHANGER OPTION PKG, SGL FAN			
SIZE C	DWG. NO. 3100A-400-ICD	REV 1	
SCALE: 1:1	SHEET 1 of 1		