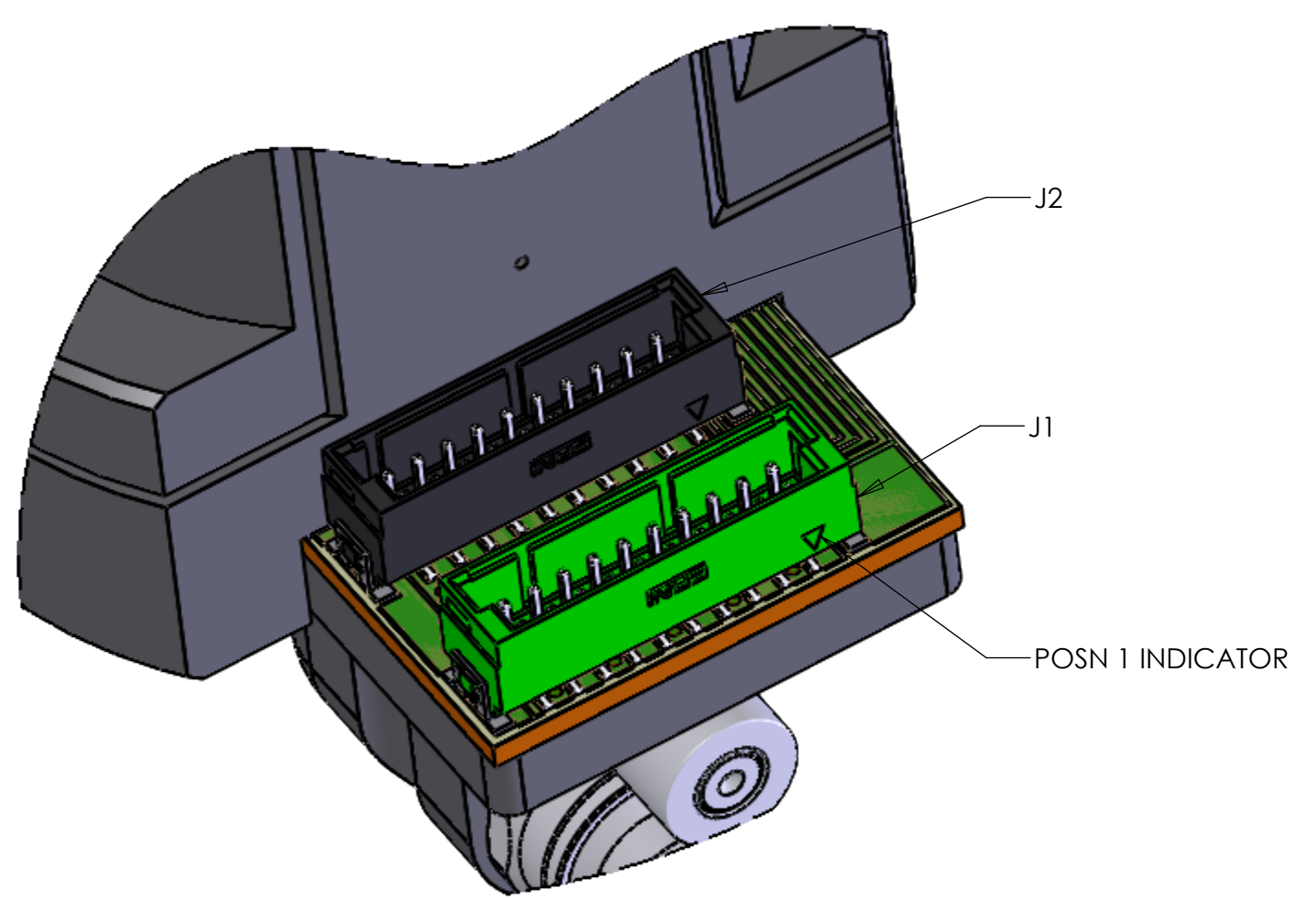
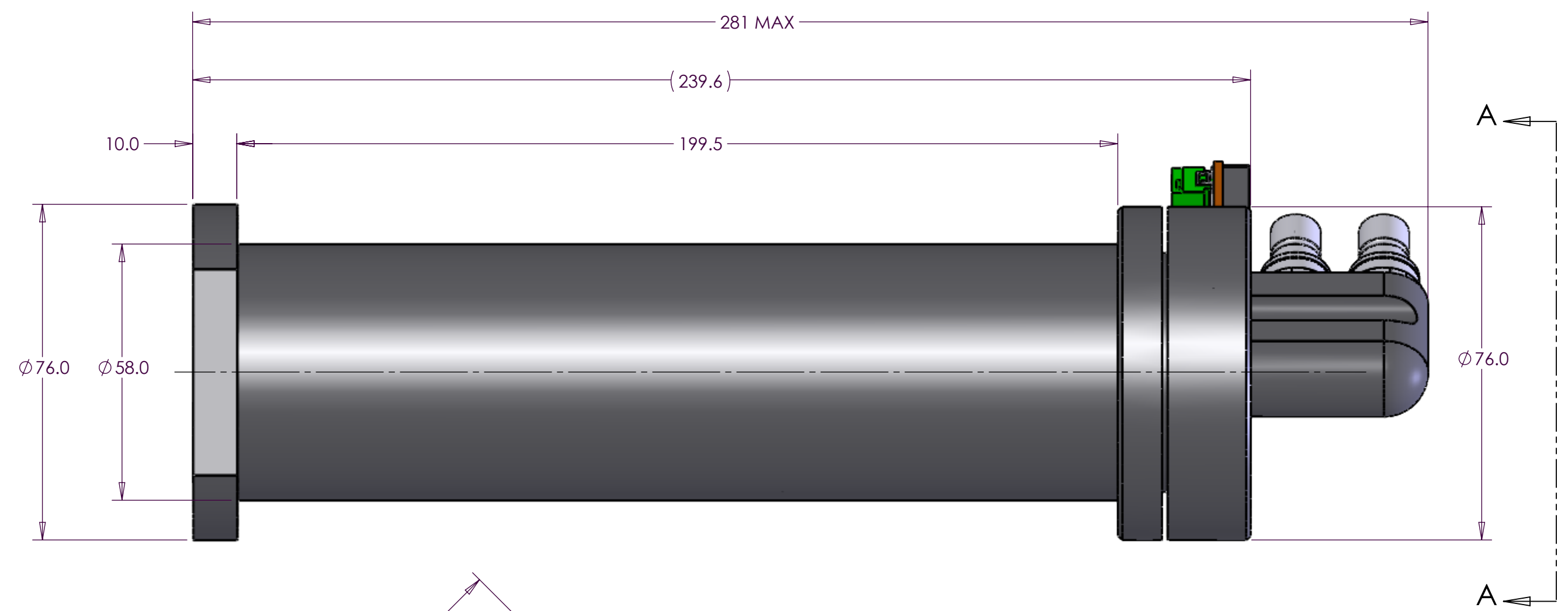
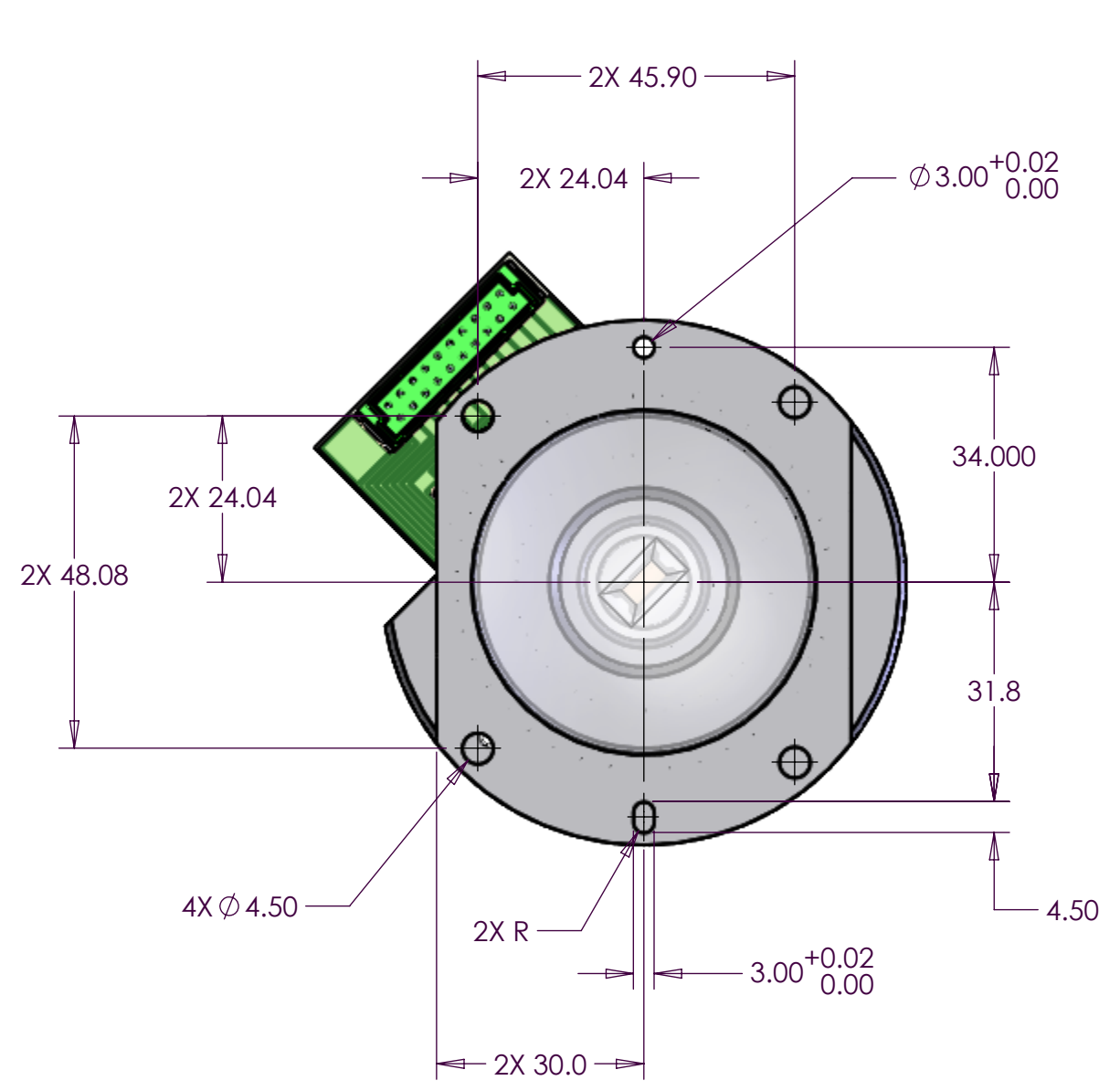
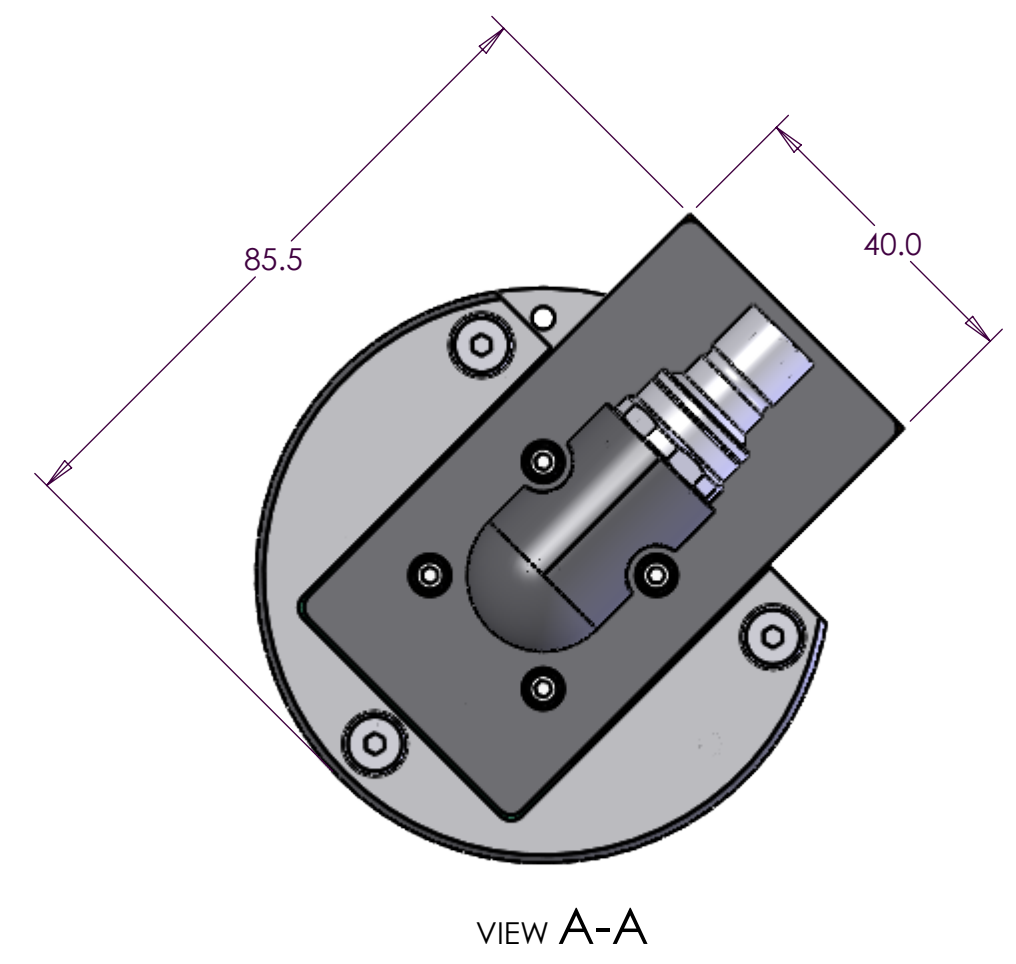


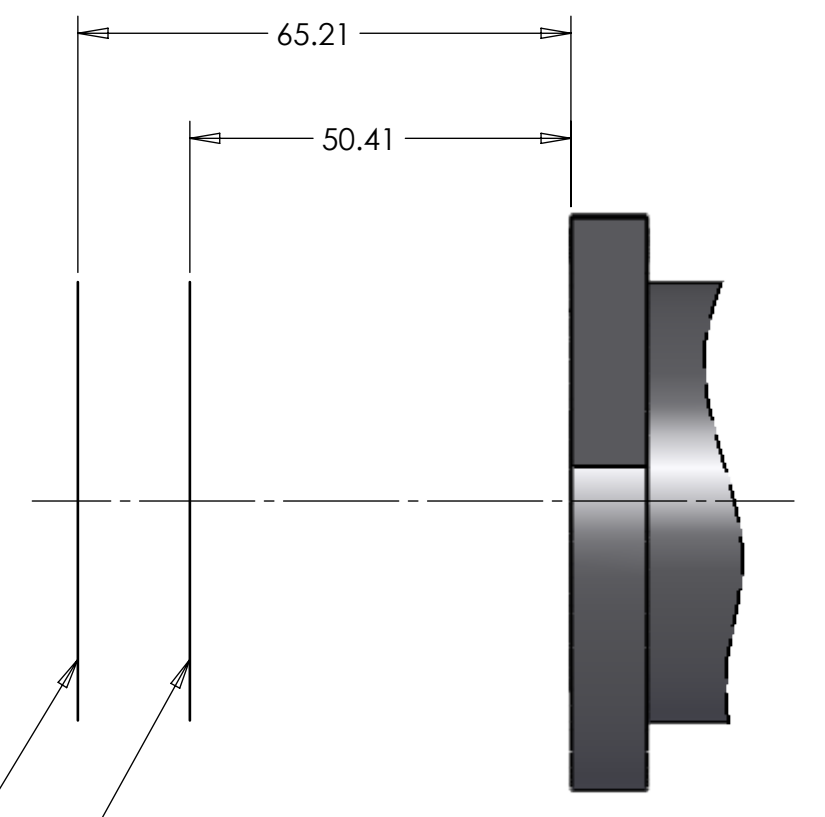
REVISIONS				
REV	ECO NO	DESCRIPTION	DATE	ENG
2	E-00010	REDESIGNED & REDRAWN	6/21/2016	BG



CONNECTOR DETAIL J1 & J2  
SCALE 2 : 1



VIEW A-A



2 3 NOMINAL ILLUMINATION PLANE WITH TIR PRISM

NOMINAL ILLUMINATION PLANE WITHOUT TIR PRISM

**INSTALLATION CONTROL DRAWING**

- NOTES:
1. CONTENT FOR REFERENCE ONLY AND SUBJECT TO CHANGE
  - 2 FUSED SILICA TIR PRISM WITH EQUIVALENT 44.8 THICKNESS
  - 3 INCLUDES EFFECT OF DMD WINDOW

UNLESS OTHERWISE SPECIFIED: DIMENSIONS ARE IN MILLIMETERS	DRW	BG	DATE	9/6/2015
	ENG	BG	DATE	9/6/2015
	ENG APVD	TB	DATE	9/6/2015
MATERIAL:	FINISH:			

THIS DRAWING AND SPECIFICATIONS HEREIN ARE THE PROPERTY OF INNOVATIONS IN OPTICS, INC. AND SHALL NOT BE REPRODUCED NOR COPIED NOR USED IN WHOLE OR IN PART AS THE BASIS FOR THE MANUFACTURE OR SALE OF ITEMS WITHOUT THE EXPRESS WRITTEN PERMISSION OF INNOVATIONS IN OPTICS, INC.

Innovations in Optics, Inc. 82 Cummings Park Woburn, MA 01801 TEL: (781) 933-4477 FAX: (781) 933-0007		
TITLE <b>ILLUMINATOR ASSY, TYPE 3</b>		
SIZE <b>C</b>	DWG. NO. <b>3300B-620-ICD</b>	REV <b>2</b>
SCALE: 1:1	SHEET 1 of 1	

Plot Date: Tuesday, June 21, 2016 Last Saved Tuesday, June 21, 2016 4:44:20 PM by: M4500-1