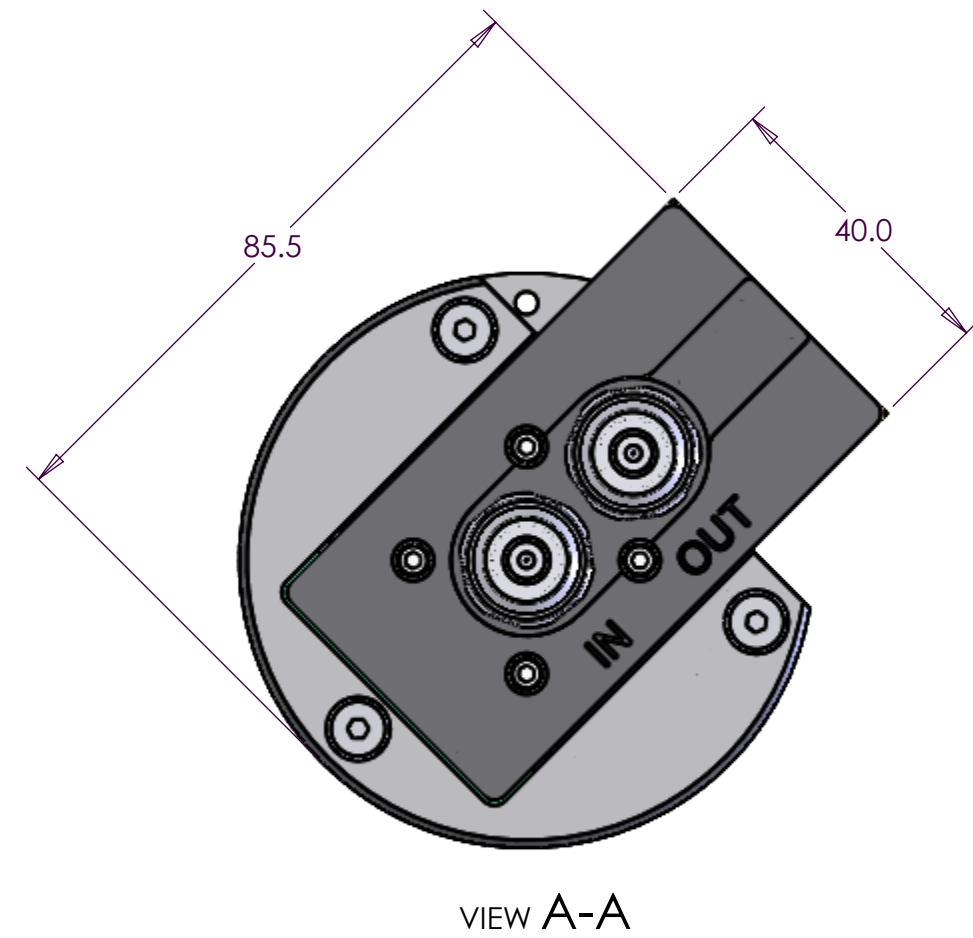
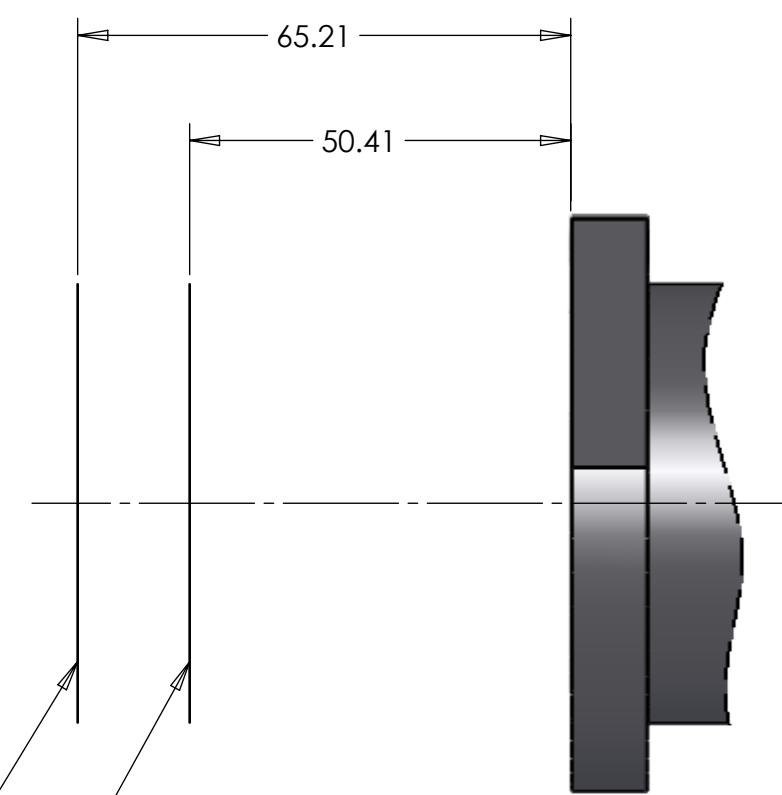
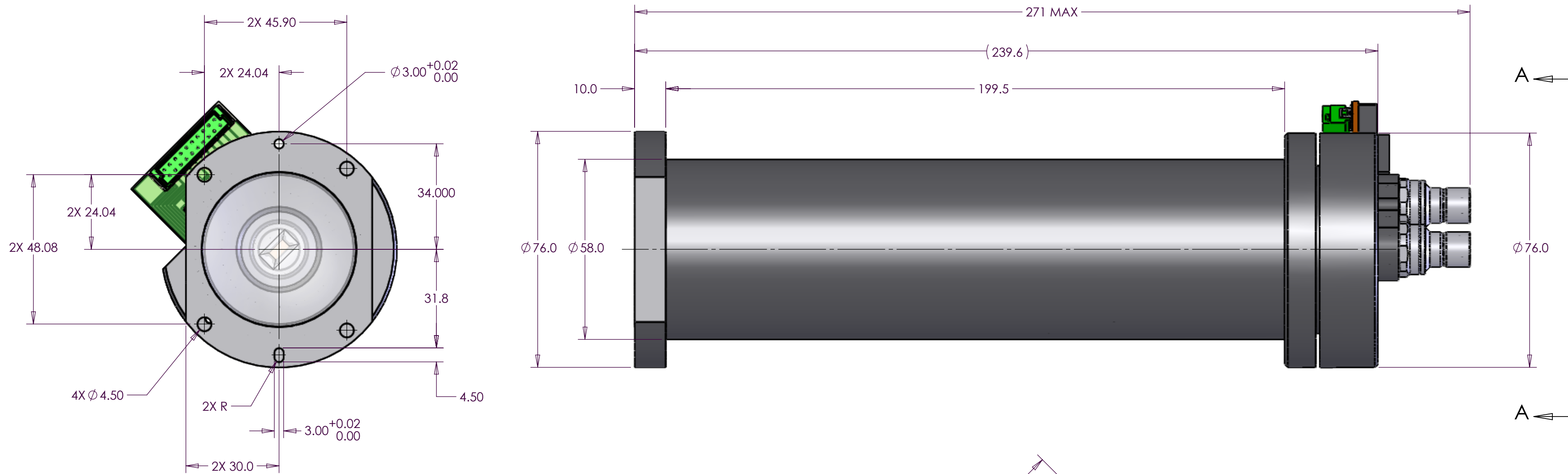


Plot Date: Monday, June 20, 2016 10:57:44 AM by: M4500-1

REVISIONS			
REV	DESCRIPTION	DATE	ECO
2	REDESIGNED & REDRAWN	6/20/2016	BG



2 3 NOMINAL ILLUMINATION PLANE WITH TIR PRISM  
 NOMINAL ILLUMINATION PLANE WITHOUT TIR PRISM

- NOTES:
- CONTENT FOR REFERENCE ONLY AND SUBJECT TO CHANGE
  - FUSED SILICA TIR PRISM WITH EQUIVALENT 44.8 THICKNESS
  - INCLUDES EFFECT OF DMD WINDOW

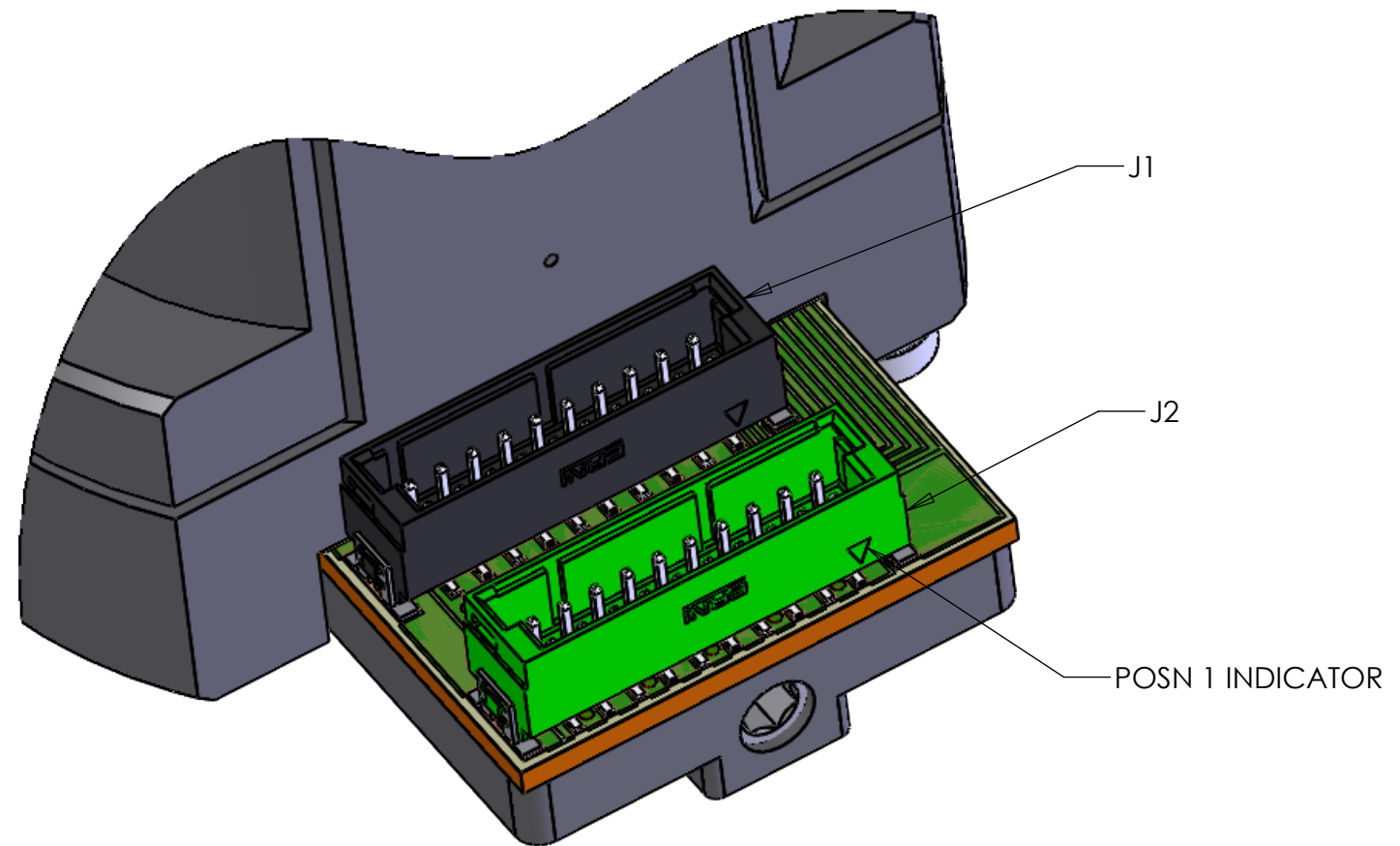
UNLESS OTHERWISE SPECIFIED: DIMENSIONS ARE IN MILLIMETERS	DRW	BG	DATE	9/6/2015
	ENG	BG	DATE	9/6/2015
	ENG APVD	TB	DATE	9/6/2015
MATERIAL:	FINISH:			

THIS DRAWING AND SPECIFICATIONS HEREIN ARE THE PROPERTY OF INNOVATIONS IN OPTICS, INC. AND SHALL NOT BE REPRODUCED NOR COPIED NOR USED IN WHOLE OR IN PART AS THE BASIS FOR THE MANUFACTURE OR SALE OF ITEMS WITHOUT THE EXPRESS WRITTEN PERMISSION OF INNOVATIONS IN OPTICS, INC.


**INSTALLATION CONTROL DRAWING**

Innovations in Optics, Inc. 82 Cummings Park Woburn, MA 01801 TEL: (781) 933-4477 FAX: (781) 933-0007		
TITLE <b>ILLUMINATOR ASSY, TYPE 3</b>		
SIZE <b>C</b>	DWG. NO. <b>3300B-621-ICD</b>	REV <b>2</b>
SCALE: 1:1	SHEET 1 of 2	

INTERCONNECT TABLE		
CONN	POSN	DESIGNATION
J1	1	GROUND, COMMON
J1	2	GROUND, COMMON
J1	3	GROUND, COMMON
J1	4	GROUND, COMMON
J1	5	GROUND, COMMON
J1	6	GROUND, COMMON
J1	7	GROUND, COMMON
J1	8	GROUND, COMMON
J1	9	GROUND, COMMON
J1	10	GROUND, COMMON
J1	11	CATHODE, LED
J1	12	CATHODE, LED
J1	13	CATHODE, LED
J1	14	CATHODE, LED
J1	15	CATHODE, LED
J1	16	CATHODE, LED
J1	17	CATHODE, LED
J1	18	CATHODE, LED
J1	19	CATHODE, LED
J1	20	GROUND, COMMON
J2	1	GROUND, COMMON
J2	2	GROUND, COMMON
J2	3	GROUND, COMMON
J2	4	GROUND, COMMON
J2	5	GROUND, COMMON
J2	6	GROUND, COMMON
J2	7	GROUND, COMMON
J2	8	GROUND, COMMON
J2	9	GROUND, COMMON
J2	10	GROUND, COMMON
J2	11	CATHODE, LED
J2	12	CATHODE, LED
J2	13	CATHODE, LED
J2	14	CATHODE, LED
J2	15	CATHODE, LED
J2	16	CATHODE, LED
J2	17	CATHODE, LED
J2	18	CATHODE, LED
J2	19	CATHODE, LED
J2	20	THERMISTOR



CONNECTOR DETAIL J1 & J2  
SCALE 2 : 1

 <p>THIS DRAWING AND SPECIFICATIONS HEREIN ARE THE PROPERTY OF INNOVATIONS IN OPTICS, INC. AND SHALL NOT BE REPRODUCED NOR COPIED NOR USED IN WHOLE OR IN PART AS THE BASIS FOR THE MANUFACTURE OR SALE OF ITEMS WITHOUT THE EXPRESS WRITTEN PERMISSION OF INNOVATIONS IN OPTICS, INC.</p>	<b>INNOVATIONS IN OPTICS, INC.</b> 82 Cummings Park Woburn, MA 01801 TEL: (781) 933-4477 FAX: (781) 933-0007		
	<b>TITLE</b> <b>ILLUMINATOR ASSY, TYPE 3</b>		
	<b>SIZE</b> <b>B</b>	<b>DWG. NO.</b> <b>3300B-621-ICD</b>	<b>REV</b> <b>2</b>
	<b>SCALE:</b> 1:1		<b>SHEET 2 of 2</b>