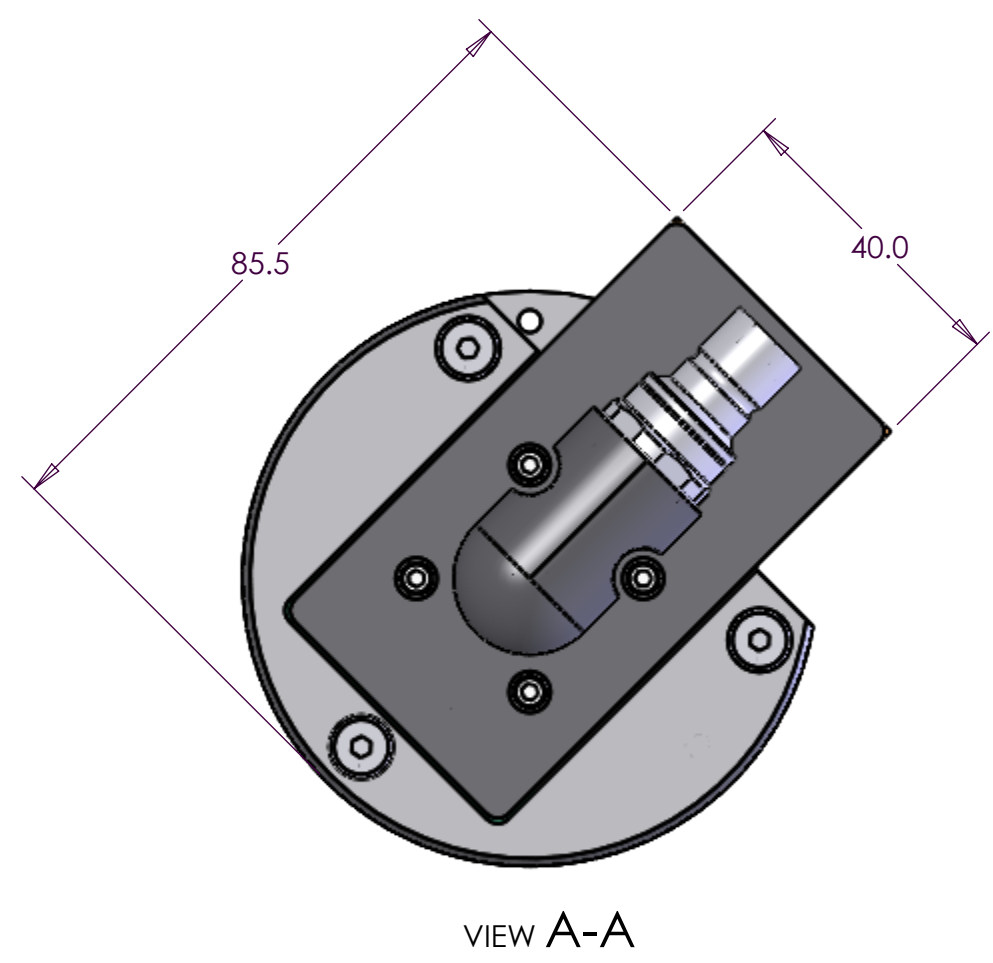
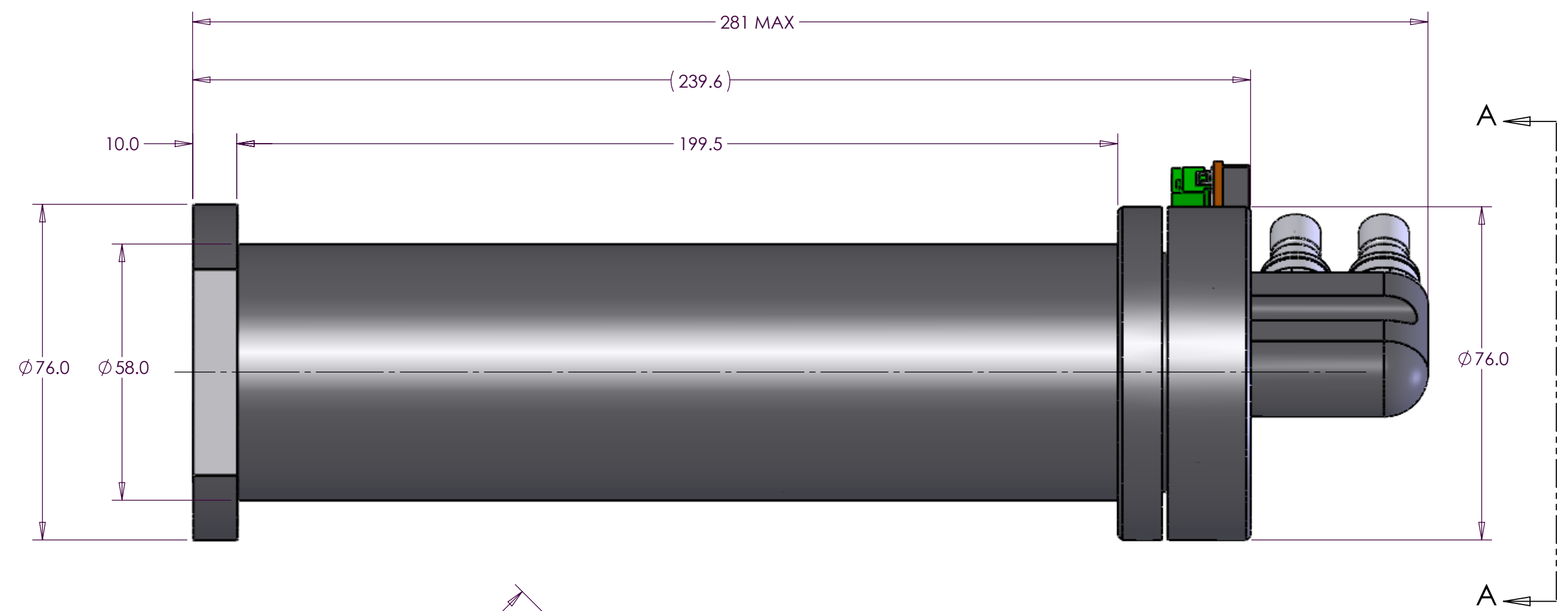
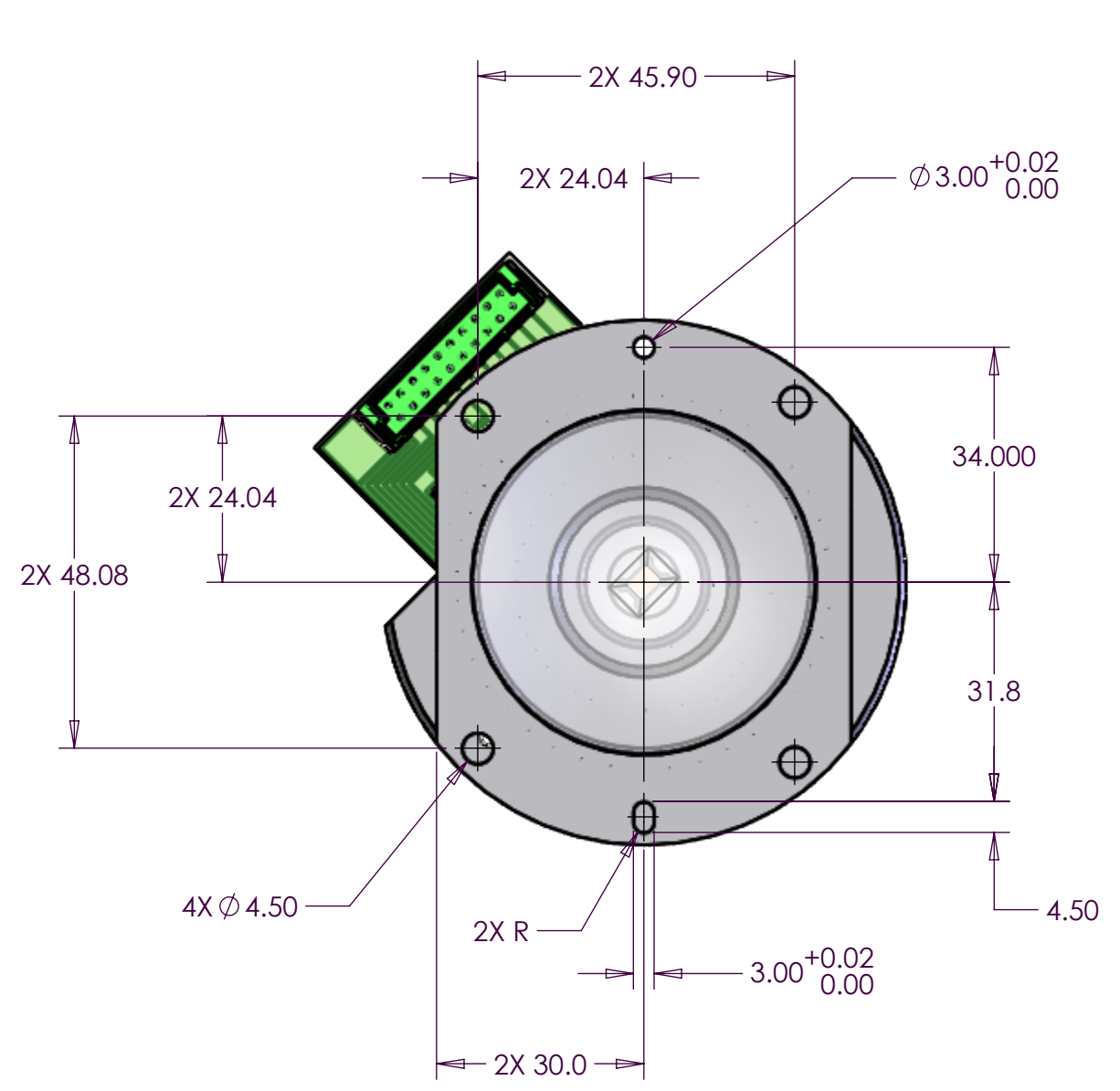


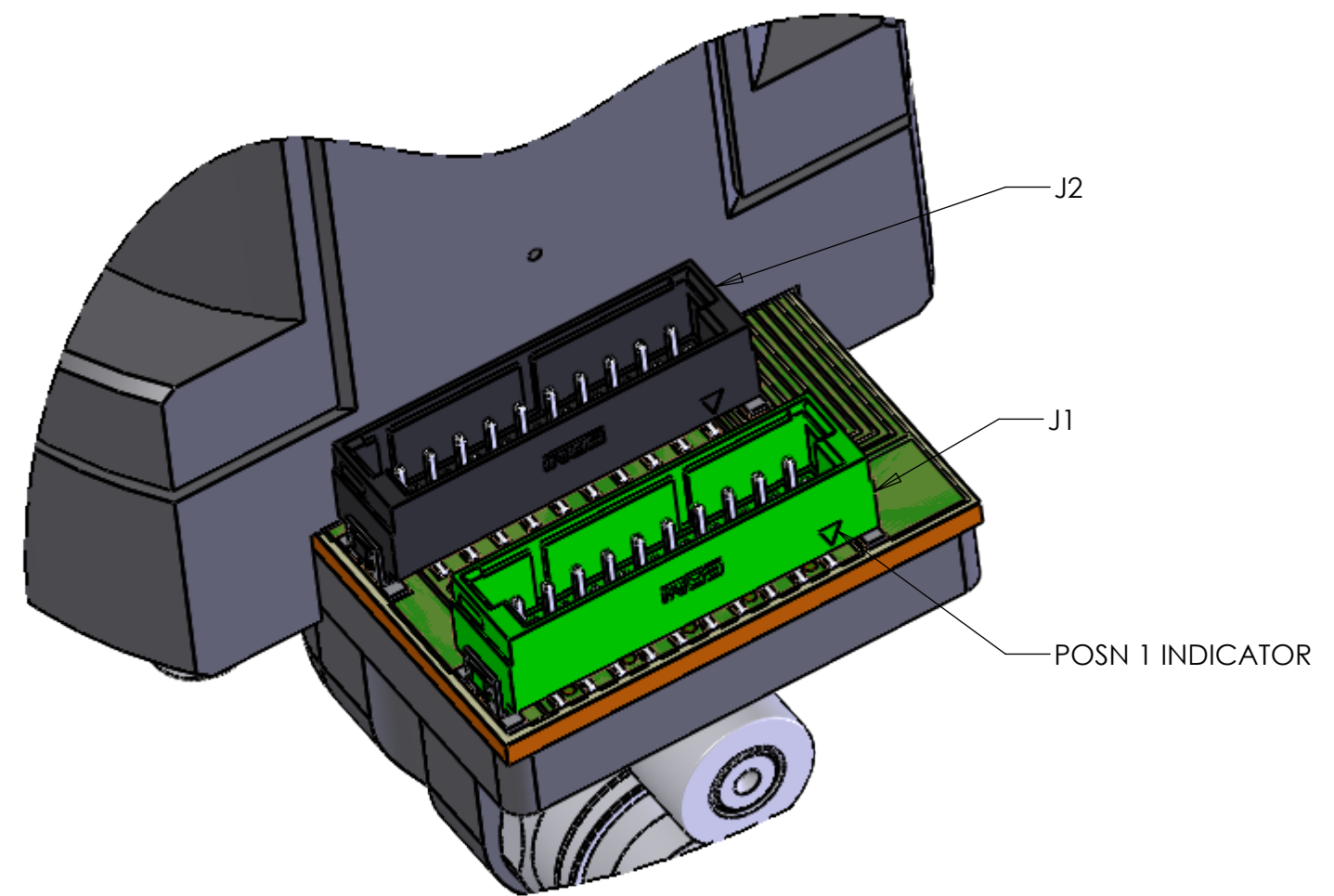
REVISIONS				
REV	ECO NO	DESCRIPTION	DATE	ENG
2	E-00010	REDESIGNED & REDRAWN	6/21/2016	BG



VIEW A-A

2 3 NOMINAL ILLUMINATION PLANE WITH TIR PRISM

NOMINAL ILLUMINATION PLANE WITHOUT TIR PRISM



CONNECTOR DETAIL J1 & J2
SCALE 2 : 1

- NOTES:
1. CONTENT FOR REFERENCE ONLY AND SUBJECT TO CHANGE
 - 2 FUSED SILICA TIR PRISM WITH EQUIVALENT 44.8 THICKNESS
 - 3 INCLUDES EFFECT OF DMD WINDOW

INSTALLATION CONTROL DRAWING

UNLESS OTHERWISE SPECIFIED: DIMENSIONS ARE IN MILLIMETERS	DRW	BG	DATE	9/6/2015
	ENG	BG	DATE	9/6/2015
	ENG APVD	TB	DATE	9/6/2015
MATERIAL:	FINISH:			

THIS DRAWING AND SPECIFICATIONS HEREIN ARE THE PROPERTY OF INNOVATIONS IN OPTICS, INC. AND SHALL NOT BE REPRODUCED NOR COPIED NOR USED IN WHOLE OR IN PART AS THE BASIS FOR THE MANUFACTURE OR SALE OF ITEMS WITHOUT THE EXPRESS WRITTEN PERMISSION OF INNOVATIONS IN OPTICS, INC.

Innovations in Optics, Inc. 82 Cummings Park Woburn, MA 01801 TEL: (781) 933-4477 FAX: (781) 933-0007		
TITLE ILLUMINATOR ASSY, TYPE 6		
SIZE C	DWG. NO. 3300B-650-ICD	REV 2
SCALE: 1:1	SHEET 1 of 1	

Plot Date: Wednesday, June 22, 2016 Last Saved Wednesday, June 22, 2016 8:08:36 AM by: M4500-1