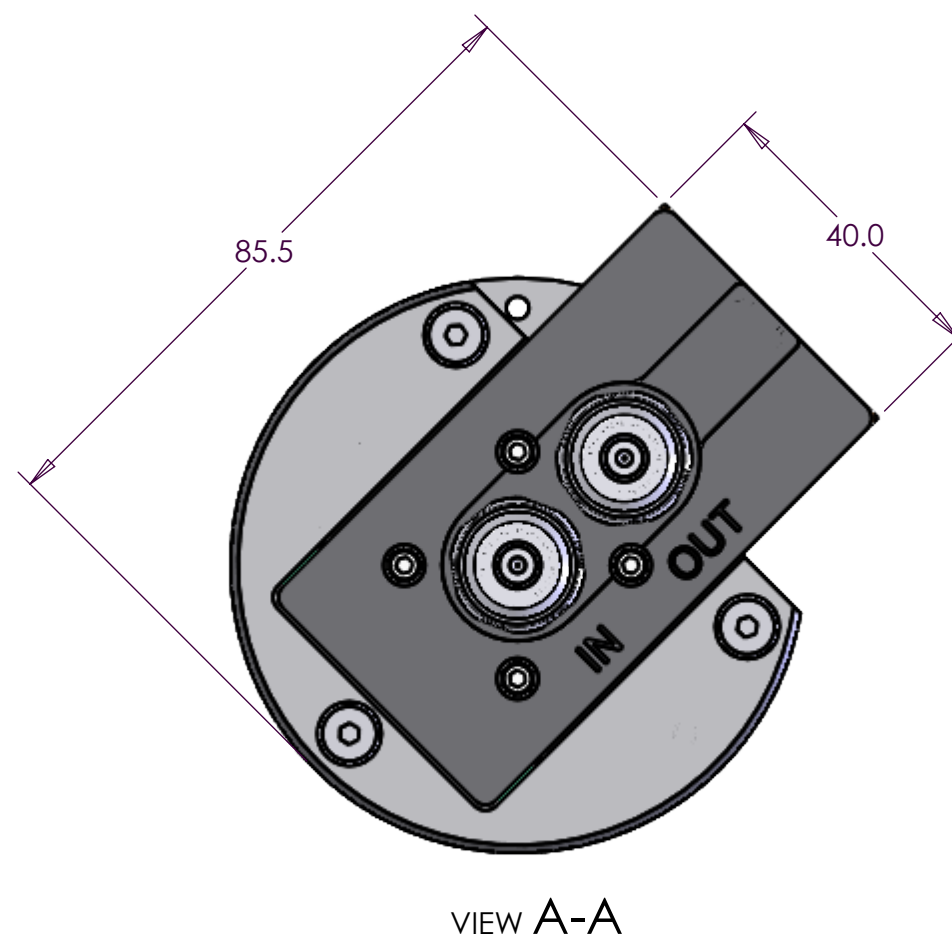
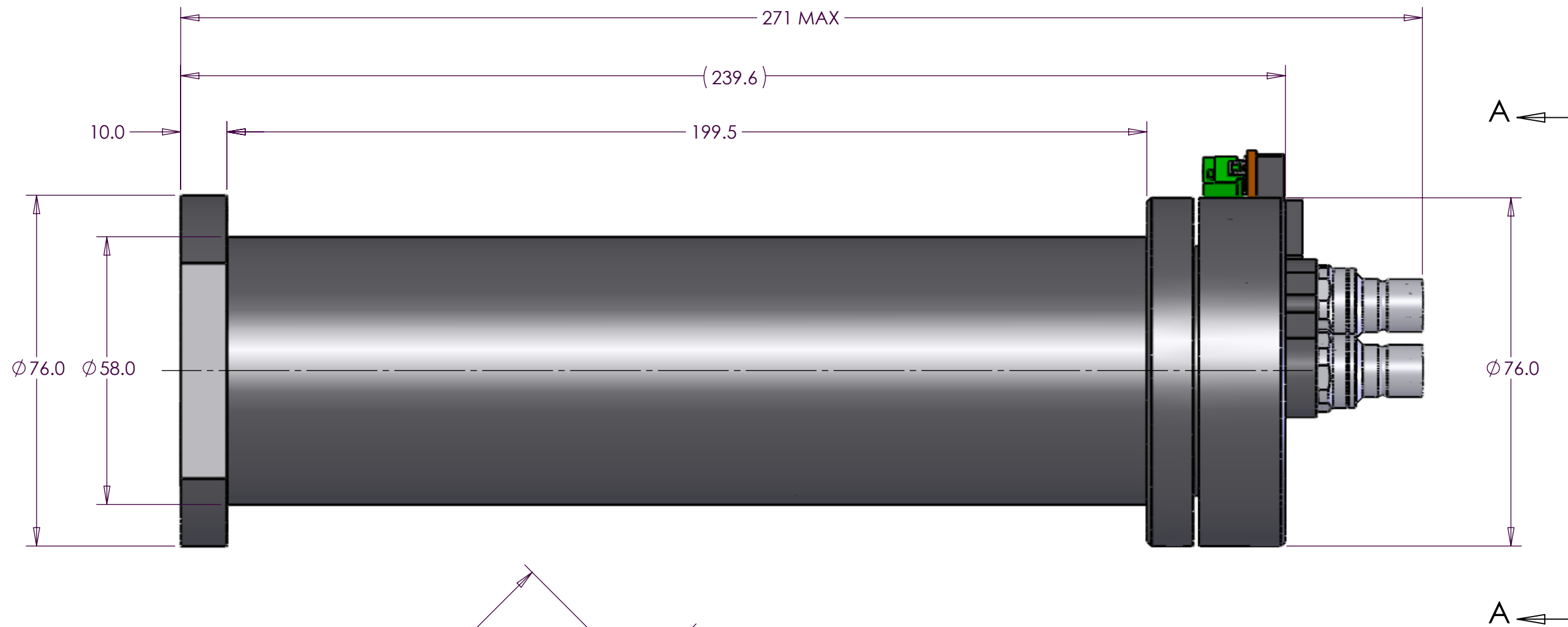
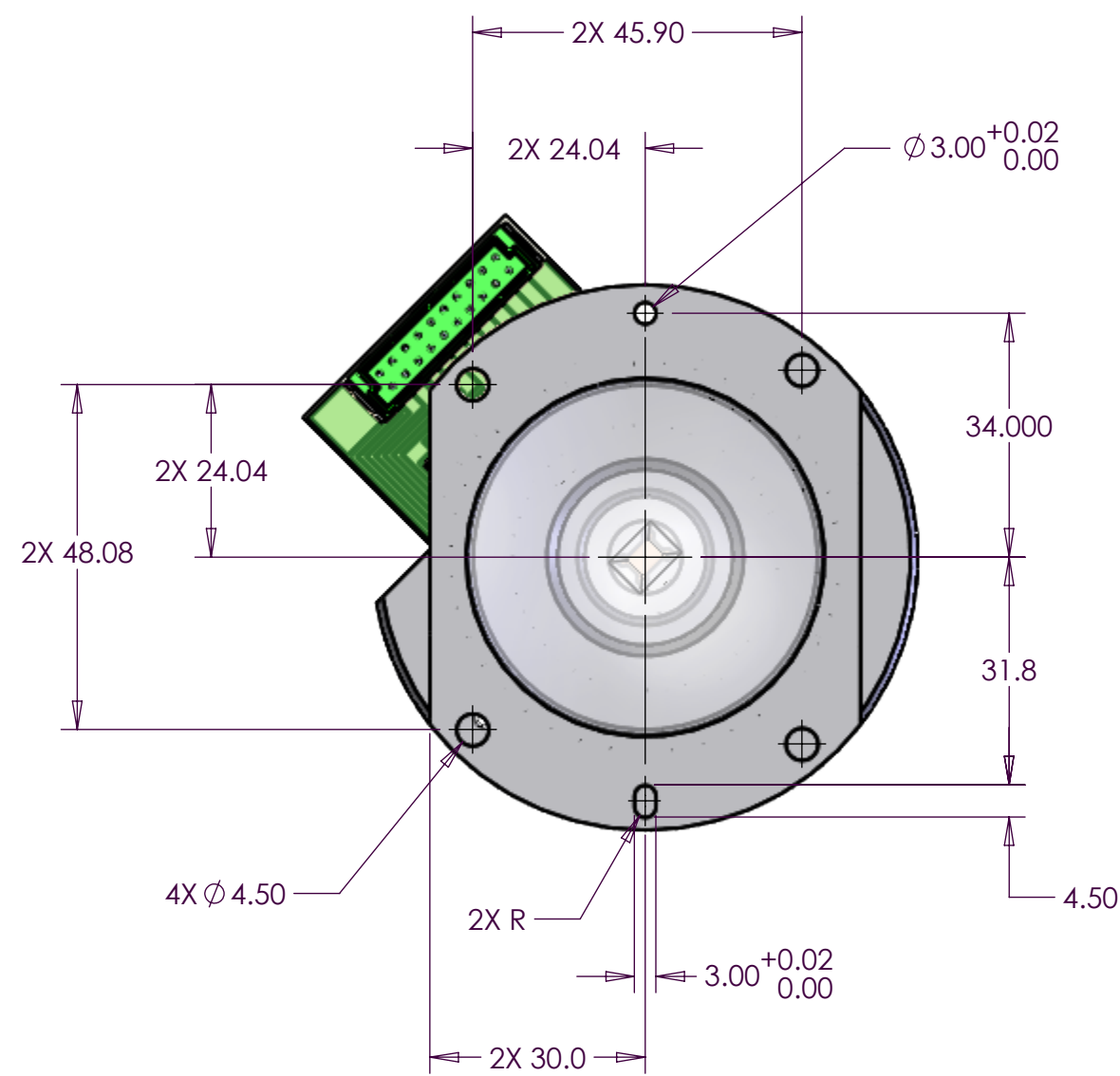


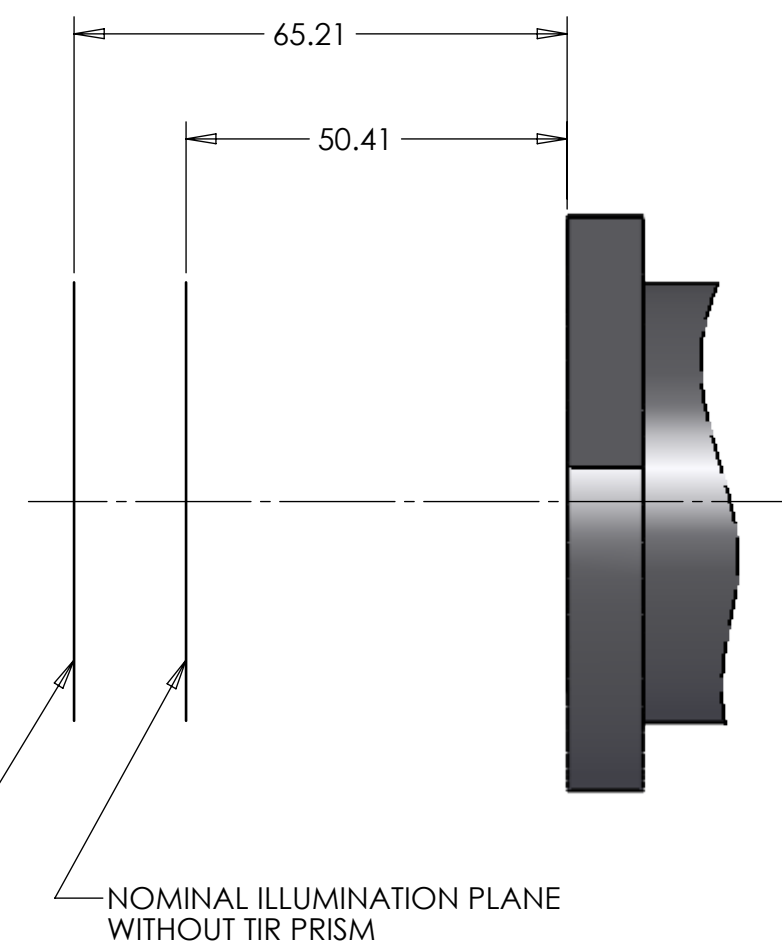
Plot Date: Wednesday, June 22, 2016 8:10:32 AM by: M4500-1

REVISIONS				
REV	ECN	DESCRIPTION	DATE	ENG
2	E-00010	REDESIGNED & REDRAWN	6/21/2016	BG

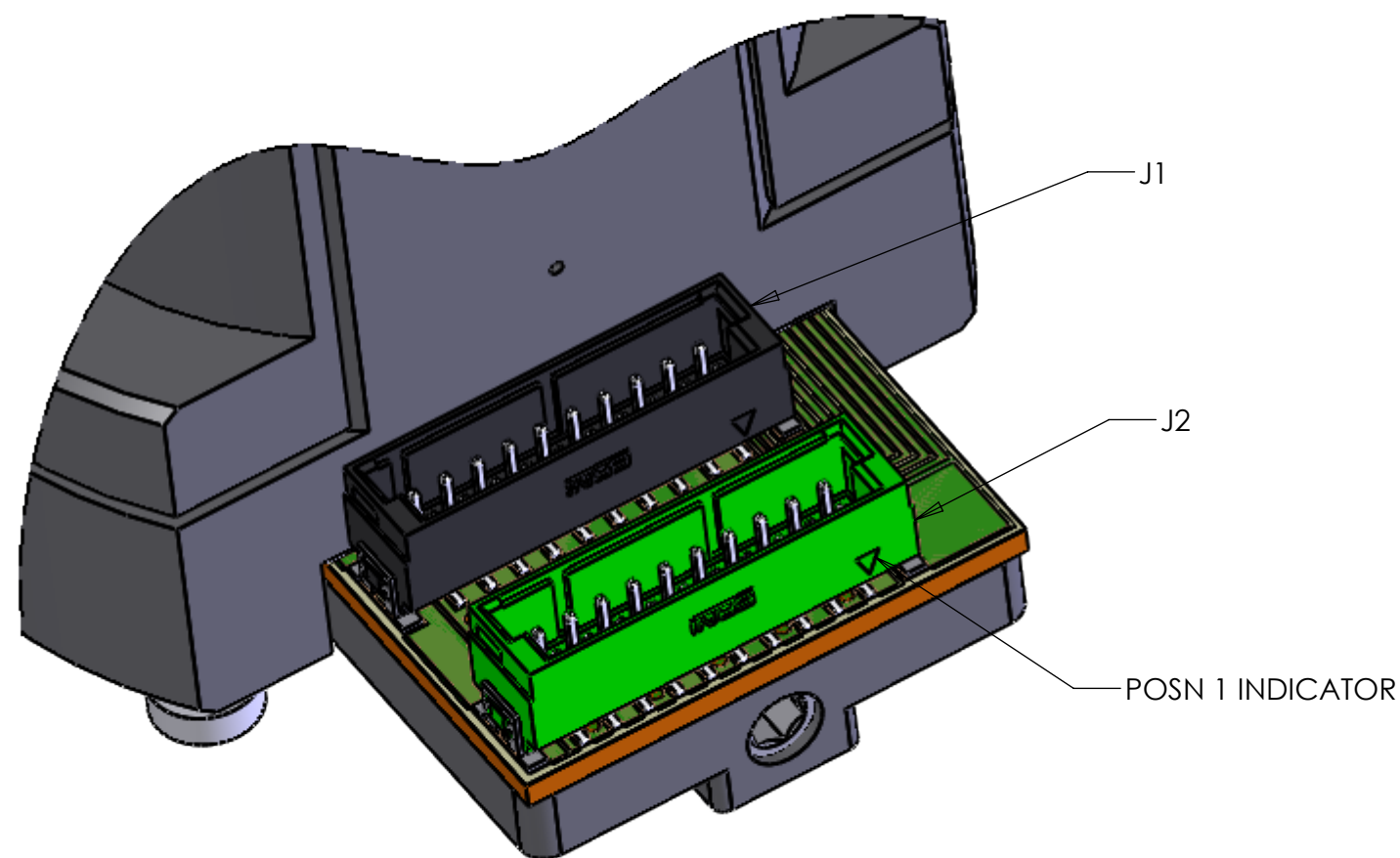


VIEW A-A

2 3 NOMINAL ILLUMINATION PLANE WITH TIR PRISM



NOMINAL ILLUMINATION PLANE WITHOUT TIR PRISM



CONNECTOR DETAIL J1 & J2
SCALE 2:1

INSTALLATION CONTROL DRAWING

NOTES:

1. CONTENT FOR REFERENCE ONLY AND SUBJECT TO CHANGE
- 2 FUSED SILICA TIR PRISM WITH EQUIVALENT 44.8 THICKNESS
- 3 INCLUDES EFFECT OF DMD WINDOW

UNLESS OTHERWISE SPECIFIED: DIMENSIONS ARE IN MILLIMETERS	DRW	BG	DATE	9/6/2015
	ENG	BG	DATE	9/6/2015
	ENG APVD	TB	DATE	9/6/2015
MATERIAL:	FINISH:			

THIS DRAWING AND SPECIFICATIONS HEREIN ARE THE PROPERTY OF INNOVATIONS IN OPTICS, INC. AND SHALL NOT BE REPRODUCED NOR COPIED NOR USED IN WHOLE OR IN PART AS THE BASIS FOR THE MANUFACTURE OR SALE OF ITEMS WITHOUT THE EXPRESS WRITTEN PERMISSION OF INNOVATIONS IN OPTICS, INC.

Innovations in Optics, Inc. 82 Cummings Park Woburn, MA 01801 TEL: (781) 933-4477 FAX: (781) 933-0007		
TITLE ILLUMINATOR ASSY, TYPE 6		
SIZE C	DWG. NO. 3300B-651-ICD	REV 2
SCALE: 1:1	SHEET 1 of 2	

INTERCONNECT TABLE		
CONN	POSN	DESIGNATION
J1	1	GROUND, COMMON
J1	2	GROUND, COMMON
J1	3	GROUND, COMMON
J1	4	GROUND, COMMON
J1	5	GROUND, COMMON
J1	6	GROUND, COMMON
J1	7	GROUND, COMMON
J1	8	GROUND, COMMON
J1	9	GROUND, COMMON
J1	10	GROUND, COMMON
J1	11	CATHODE, LED
J1	12	CATHODE, LED
J1	13	CATHODE, LED
J1	14	CATHODE, LED
J1	15	CATHODE, LED
J1	16	CATHODE, LED
J1	17	CATHODE, LED
J1	18	CATHODE, LED
J1	19	CATHODE, LED
J1	20	GROUND, COMMON
J2	1	GROUND, COMMON
J2	2	GROUND, COMMON
J2	3	GROUND, COMMON
J2	4	GROUND, COMMON
J2	5	GROUND, COMMON
J2	6	GROUND, COMMON
J2	7	GROUND, COMMON
J2	8	GROUND, COMMON
J2	9	GROUND, COMMON
J2	10	GROUND, COMMON
J2	11	CATHODE, LED
J2	12	CATHODE, LED
J2	13	CATHODE, LED
J2	14	CATHODE, LED
J2	15	CATHODE, LED
J2	16	CATHODE, LED
J2	17	CATHODE, LED
J2	18	CATHODE, LED
J2	19	CATHODE, LED
J2	20	THERMISTOR



THIS DRAWING AND SPECIFICATIONS
HEREIN ARE THE PROPERTY OF
INNOVATIONS IN OPTICS, INC. AND SHALL
NOT BE REPRODUCED NOR COPIED
NOR USED IN WHOLE OR IN PART AS
THE BASIS FOR THE MANUFACTURE
OR SALE OF ITEMS WITHOUT THE
EXPRESS WRITTEN PERMISSION OF
INNOVATIONS IN OPTICS, INC.

INNOVATIONS IN OPTICS, INC.

82 Cummings Park
Woburn, MA 01801
TEL: (781) 933-4477 FAX: (781) 933-0007

TITLE		
SIZE B	DWG. NO. 3300B-651-ICD	REV 2
SCALE: 1:1		SHEET 2 of 2