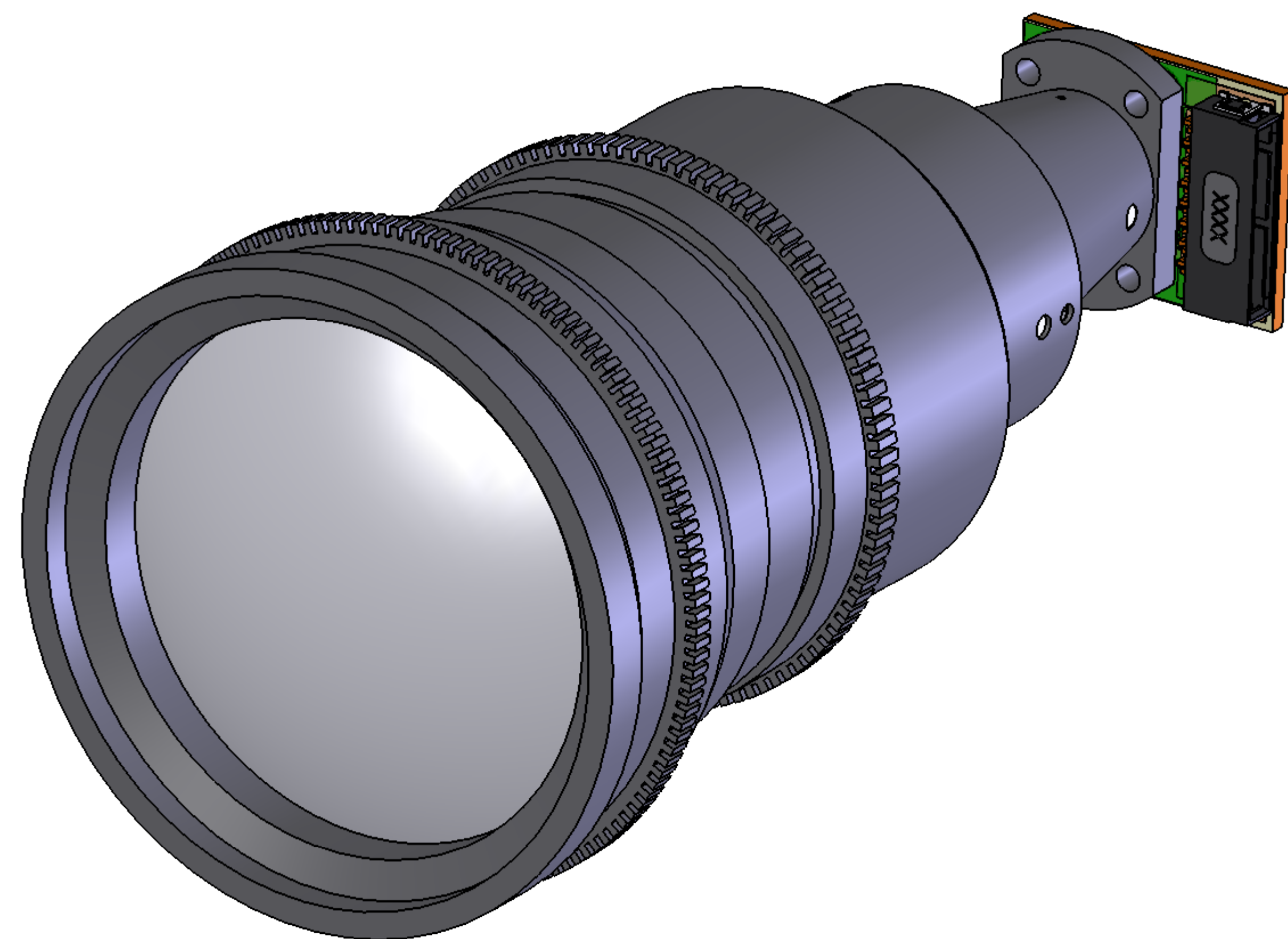
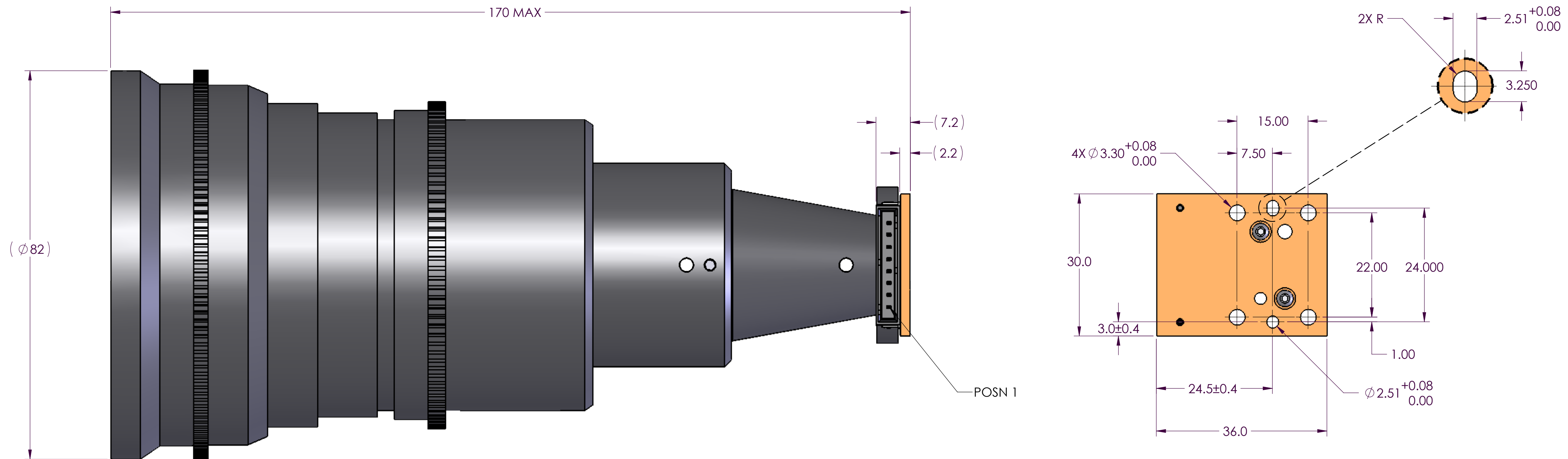


REVISIONS			
REV	DESCRIPTION	DATE	ECO
1	PRERELEASE	10/5/2015	BG



INTERCONNECT TABLE	
CONN POSN	DEVICE
1	THERMISTOR 1 & PHOTO SENSOR GND [2]
2	THERMISTOR 2
3	VCC [2]
4	PHOTO SENSOR [2]
5	CATHODE 1
6	CATHODE 2
7	CATHODE 3
8	ANODE (COMMON)

NOTES:

1. CONTENT FOR REFERENCE ONLY AND SUBJECT TO CHANGE
- 2 IF EQUIPPED

UNLESS OTHERWISE SPECIFIED: DIMENSIONS ARE IN MILLIMETERS	DRW	BG	DATE	10/5/2015
	ENG	BG	DATE	10/5/2015
	ENG APVD	TB	DATE	10/5/2015
MATERIAL:	FINISH:			

INSTALLATION CONTROL DRAWING



THIS DRAWING AND SPECIFICATIONS
HEREIN ARE THE PROPERTY OF
INNOVATIONS IN OPTICS, INC. AND
SHALL NOT BE REPRODUCED NOR
COPIED NOR USED IN WHOLE OR IN
PART AS THE BASIS FOR THE
MANUFACTURE OR SALE OF ITEMS
WITHOUT THE EXPRESS WRITTEN
PERMISSION OF INNOVATIONS IN
OPTICS, INC.

Innovations in Optics, Inc. 82 Cummings Park Woburn, MA 01801 TEL: (781) 933-4477 FAX: (781) 933-0007		
TITLE	ILLUMINATOR ASSY	
SIZE	D	DWG. NO. 2910B-100-ICD
SCALE:	2:1	REV 1
SHEET 1 of 1		