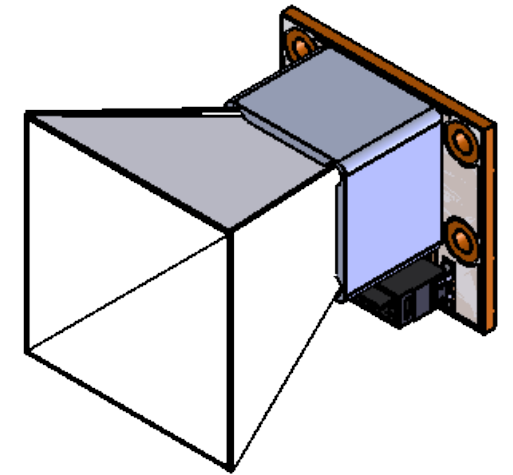
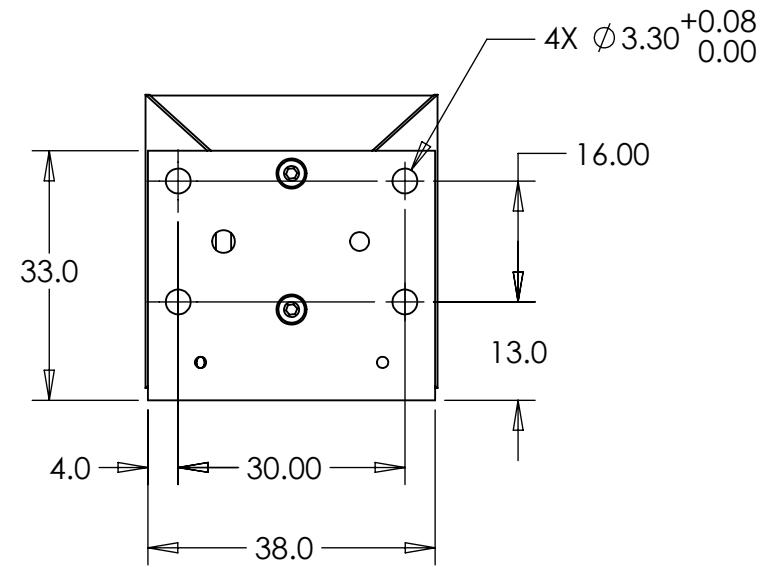
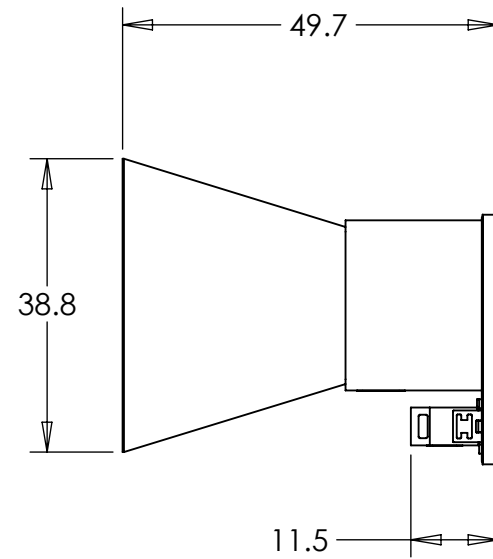
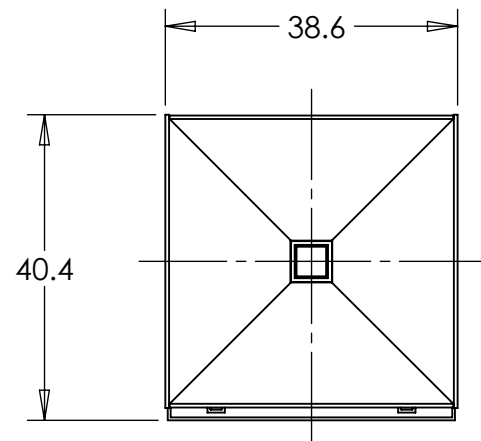


Plot Date: Friday, November 10, 2017 8:55:34 AM by: shawns

REVISIONS				
REV	ECO NO	DESCRIPTION	DATE	ENG
1	N/A	PRERELEASE	11/8/2017	SFS



NOTES:

1. CONTENT FOR REFERENCE ONLY AND SUBJECT TO CHANGE

# INSTALLATION CONTROL DRAWING

<p><b>UNLESS OTHERWISE SPECIFIED:</b> DIMENSIONS ARE IN MILLIMETERS</p> <p><b>TOLERANCES:</b> 1 PLACE DECIMAL: ± 0.3 2 PLACE DECIMALS: ± 0.20 3 PLACE DECIMALS: ± 0.10 ANGLE: ± ----</p>	DRW	SFS	DATE	11/8/2017		INNOVATIONS IN OPTICS, INC. 82 Cummings Park Woburn, MA 01801 TEL: (781) 933-4477 FAX: (781) 933-0007		
	ENG	SFS	DATE	11/8/2017		TITLE	<b>ILLUMINATOR ASSY</b>	
	ENG APVD	TB	DATE	11/8/2017		SIZE	DWG. NO.	REV
MATERIAL:	FINISH:			THIS DRAWING AND SPECIFICATIONS HEREIN ARE THE PROPERTY OF INNOVATIONS IN OPTICS, INC. AND SHALL NOT BE REPRODUCED NOR COPIED NOR USED IN WHOLE OR IN PART AS THE BASIS FOR THE MANUFACTURE OR SALE OF ITEMS WITHOUT THE EXPRESS WRITTEN PERMISSION OF INNOVATIONS IN OPTICS, INC.		<b>B</b>	<b>2990B-100-ICD</b>	<b>1</b>
					SCALE:	1:1	SHEET 1 of 1	